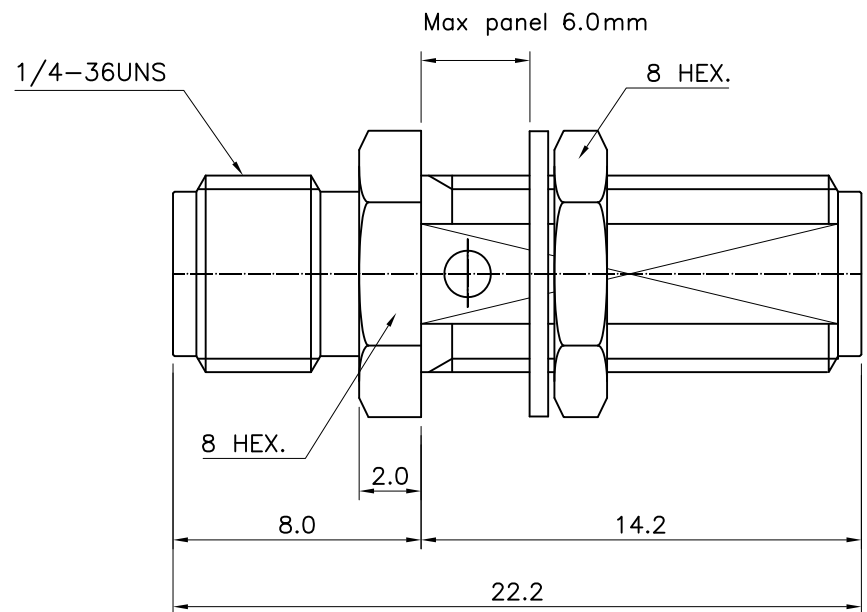


No.	Revision	Date	Name
△	PN Change from 1S-804-00	25/06/2013	B.G.YUN
△			

RoHS Compliant



SPECIFICATIONS;
 IMPEDANCE : 50 Ohms
 Frequency Range : DC~18GHz
 Working Voltage : 1000 VRMS
 Insulation Resistance : 5000M ohms min.
 Temperature Range : -65~125°C
 VSWR : 1.15:1@ DC~10 GHz
 1.20:1@ DC~18 GHz

SMA Bulkhead JACK TO JACK
 -ADAPTOR

Connector parts	Materials	Finish
Body,Nut	Brass	Gold Plated
Center contact	Be-Cu	Gold Plated
Insulator	PTFE	-
Washer	Stainless steel	Gold Plated

CUSTOMER

NO.	DESCRIPTION	Q'TY	MATERIAL	FINISH	REMARKS.
PARTS No.	SMA-804-002		NAME	SMA-BH JJ ADAPTOR	APPROVED
MATERIAL	FINISH	TOLERANCES OTHERWISE SPEC. ±0.05		ANGLES ±1°	CHECKED
SCALE	N/S	UNIT	mm		DESIGNED S.J.LEE
DWG NO.	SMA-804-002			DATE.	07/JUL/2008

