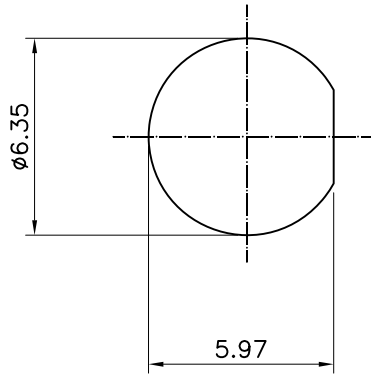


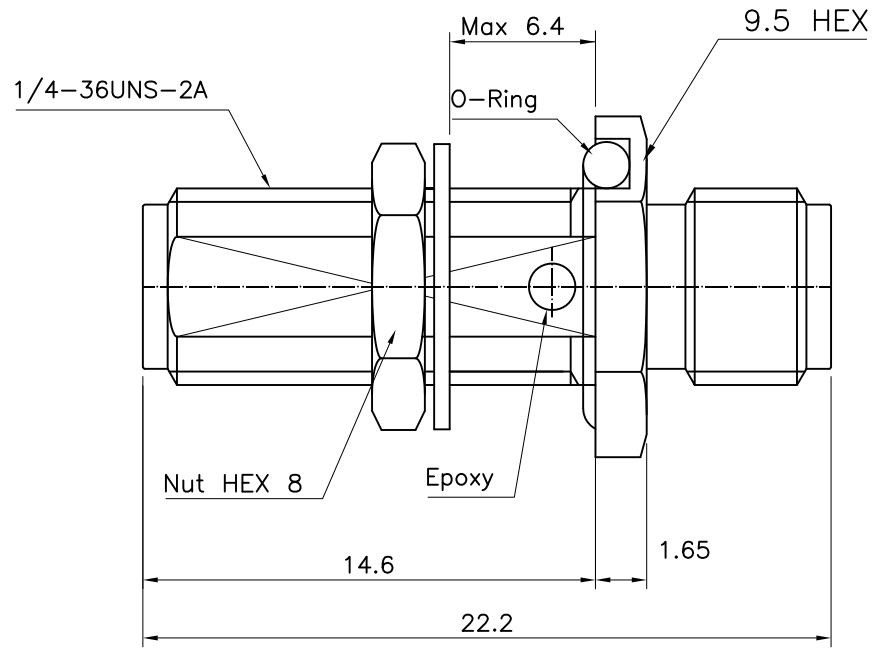
4	No.	Revision	Date	Name
	△	PN Change from 1S-804S-9620	23/07/2013	B.G.YUN
	△			

SPECIFICATIONS;  
 IMPEDANCE : 50 Ohms  
 Frequency Range : DC~18GHz  
 Working Voltage : 1000 VRMS  
 Insulation Resistance : 5000M ohms min.  
 Temperature Range : -55°~155°C  
 VSWR : DC~18 GHz : ≤ 1.20  
 RF Leakage: -(60-F(GHz))dBm max.

RoHS Compliant



MOUNTING HOLE



SMA Bulkhead JACK TO JACK  
 -ADAPTOR WITH SEAL

Connector parts	Materials	Finish
Body,Nut,Washer	Stainless steel	Passivated
Center contact	Beryllium copper	Gold Plated
Insulator	PTFE	-
O-Ring	Silicone rubber	-

CUSTOMER

NO.	DESCRIPTION	Q'TY	MATERIAL	FINISH	REMARKS.
PARTS No.	SMA-804-016		NAME	SMA/BJ-J ADAP.	APPROVED
MATERIAL	FINISH	TOLERANCES OTHERWISE SPEC. ±0.05		ANGLES ±1°	CHECKED
SCALE	N/S	UNIT	mm		DESIGNED S.J.LEE
DWG NO.	SMA-804-016				DATE. 08/MAY/2012

