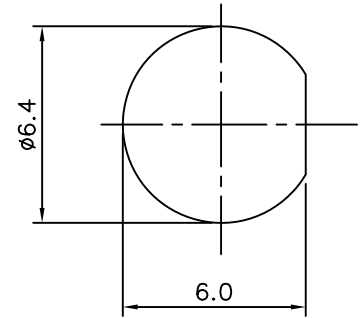


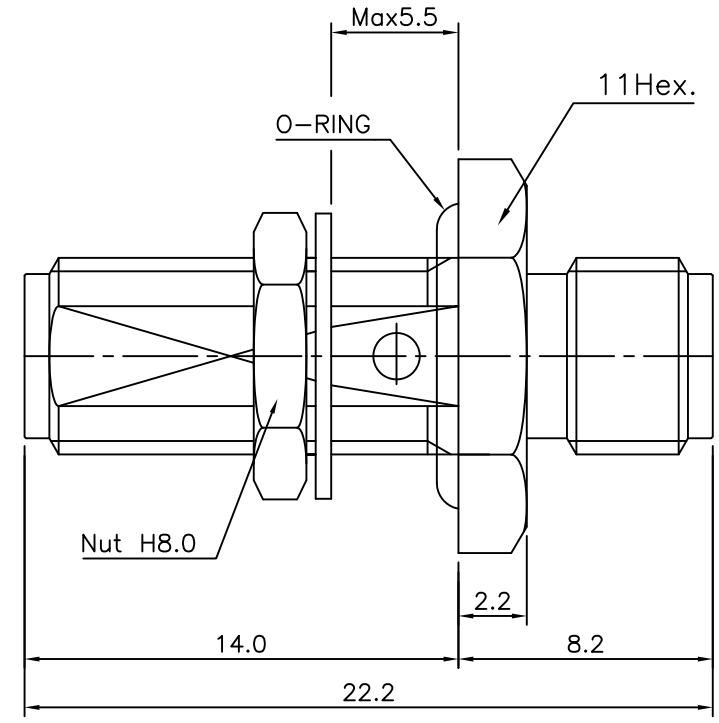
4	5	6
No.	Revision	Date
△	PN Change from 1S-804-01	13/11/2013
△		
Name		Name
		B.G.YUN

SPECIFICATIONS;
 IMPEDANCE : 50 Ohms
 Frequency Range :DC~18GHz
 Working Voltage : 1000 VRMS
 Insulation Resistance : 5000M ohms min.
 Temperture Range : -55°~155°C
 VSWR : DC~18 GHz : ≤ 1.20
 RF Leakage: -(60-F(GHz))dBm max.

RoHS Compliant



MOUNT HOLES



SMA Bulkhead JACK TO JACK
 -ADAPTOR with SEAL

Connector parts	Materials	Finish
Body,Nut	Brass	Gold Plated
Center contact	Be-Cu	Gold Plated
Insulator	PTFE	-

CUSTOMER

NO.	DESCRIPTION	Q'TY	MATERIAL	FINISH	REMARKS.
PARTS No.	SMA-804-018	NAME	SMA-BH JJ ADAP.		APPROVED
MATERIAL	FINISH	TOLERANCES OTHERWISE SPEC. ±0.05		ANGLES ±1°	CHECKED
SCALE	N/S	UNIT	mm		DESIGNED S.J.LEE
DWG NO.		SMA-804-018		DATE.	2001.05/04

