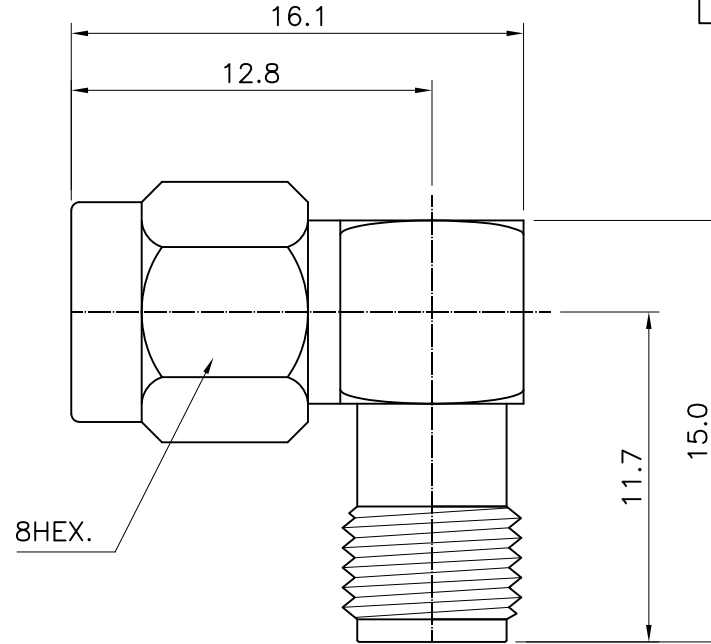


No.	Revision	Date	Name
△	PN Change from 1S-805-00	05/07/2013	B.G.YUN
△			

NOTES.

1. Impedance : 50 ohm
2. Frequency range ; Dc to 6.0GHz
3. Return loss : >25dB DC to 6.0GHz
4. Insulation resistance: 5000 Mohm

RoHS Compliant



SMA Right Angle  
Plug to Jack Adaptor

Connector parts	Materials	Finish
Coupling Cap	Brass	Gold plated
Body	Brass	Gold plated
Center contact	Beryllium copper Brass	Gold plated
Insulator	PTFE	-

**CUSTOMER**

NO.	DESCRIPTION	Q'TY	MATERIAL	FINISH	REMARKS.
PARTS No.	SMA-806-001		NAME	SMA-RA-PJ Adap.	APPROVED
MATERIAL	FINISH	TOLERANCES OTHERWISE SPEC. ±0.05		ANGLES ±1°	CHECKED
		SCALE	UNIT mm		DESIGNED S.J.LEE
		DWG NO.	SMA-806-001		DATE 29/JAN/2009