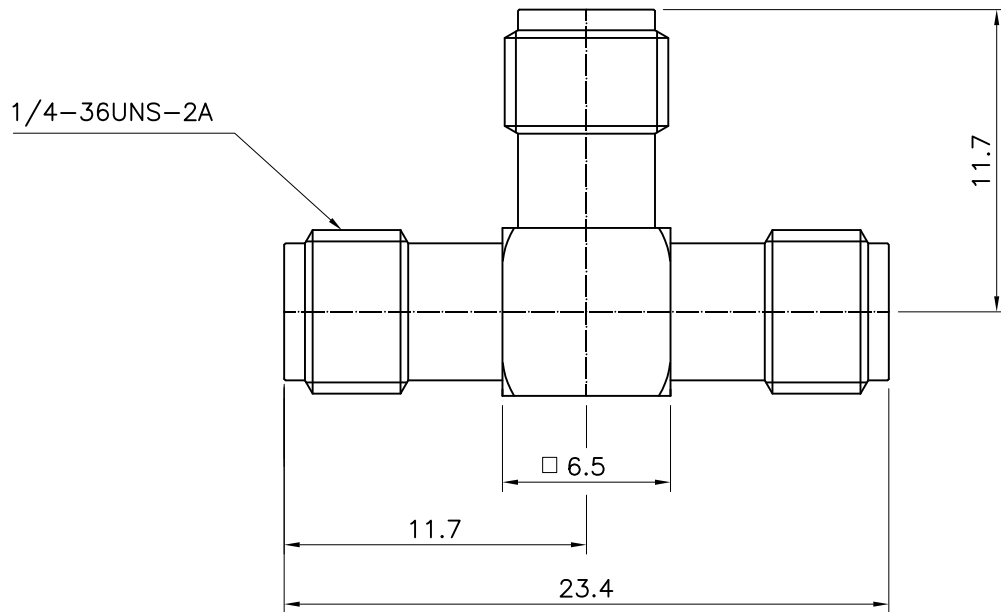


No.	Revision	Date	Name
△	PN Change from 1S-881S-00N	18/06/2013	B.G.YUN
△			

RoHS Compliant



Connector parts	Materials	Finish
Body	Stainless steel	Nickel Plated
Center contact	Beryllium copper	Gold Plated
Insulator	PTFE	-

SMA TEE, ADAPTOR
FEMALE-FEMALE-FEMALE

NO.	DESCRIPTION	Q'TY	MATERIAL	FINISH	REMARKS.
PARTS No.	SMA-807-004		NAME	SMA-T-JJJ-ADAPTOR	APPROVED
MATERIAL	FINISH	TOLERANCES OTHERWISE SPEC. ±0.05		ANGLES ±1°	CHECKED
SCALE		UNIT	DESIGNED		S.J.LEE
N/S		mm	DATE.		
DWG NO.		SMA-807-004		14/MAR/2012	

CUSTOMER

