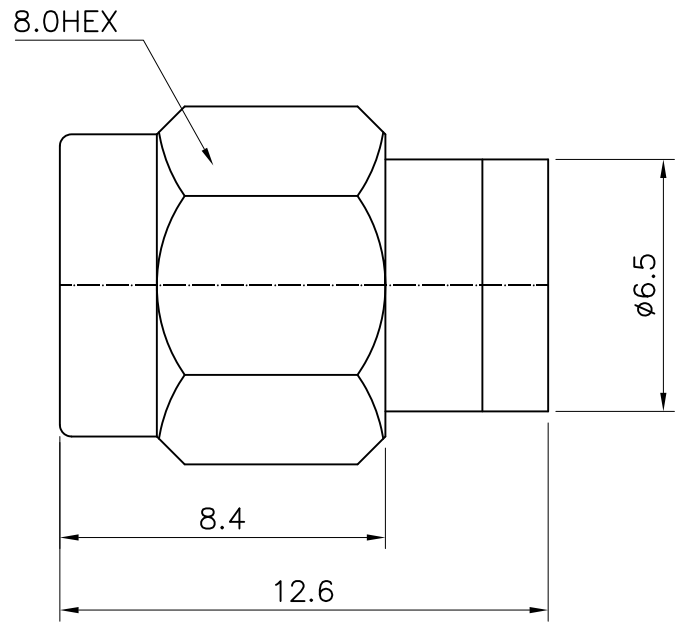


4	5	6	
No.	Revision	Date	Name
△	PN Change from 1S-901-00	30/08/2013	B.G.YUN
△			

RoHS Compliant



SPECIFICATIONS

Frequency Range----- DC~6GHz
 VSWR-----1.15:1Max.
 Impedance----- 50 Ohms
 Power Rating----- 1 Watts
 Oper Temp Range----- -35°C~+85°C
 CONNECTOR----- Brass/Gold plated
 Conductors----- Brass/Gold plated

NO.	DESCRIPTION	Q'TY	MATERIAL	FINISH	REMARKS.
PARTS No.	SMA-901-001		NAME	SMA-M-TERMINATION	APPROVED
MATERIAL	FINISH	TOLERANCES OTHERWISE SPEC. ±0.05		ANGLES ±1°	CHECKED
		SCALE	UNIT		DESIGNED S.J.LEE
			mm		DWG NO.
CUSTOMER		SMA-901-001			