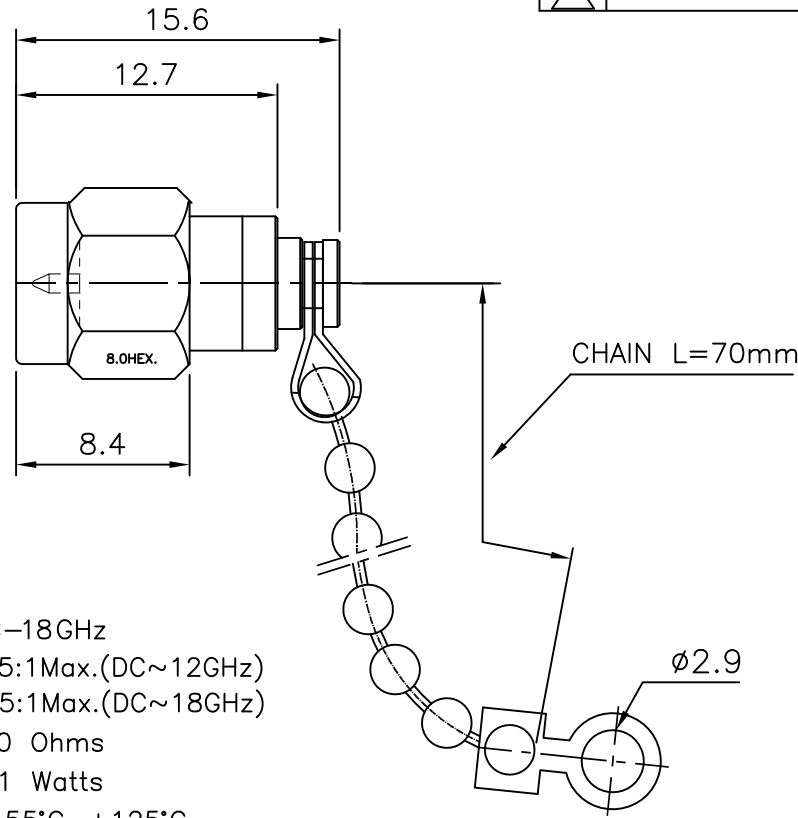


1 2 3 4 5 6

No.	Revision	Date	Name
△			
△			

RoHS Compliant



SPECIFICATIONS

Frequency Range----- DC~18GHz
 VSWR-----1.15:1Max.(DC~12GHz)
 1.25:1Max.(DC~18GHz)
 Impedance----- 50 Ohms
 Power Rating----- 1 Watts
 Oper Temp Range----- -55°C~+125°C

Connector parts	Materials	Finish
Coupling Cap	Stainless steel	Gold Plated
Body	Stainless steel	Gold Plated
Center contact	Brass	Gold Plated
Insulator	PTFE	-
Gasket	Silicone Rubber	-
Chain,Rivet	Brass	Gold Plated

SMA-MALE
 TERMINATION with CHAIN

NO.	DESCRIPTION	Q'TY	MATERIAL	FINISH	REMARKS.
PARTS No.	SMA-901-020		NAME	SMA-SP TERMINATION	APPROVED
MATERIAL	FINISH	TOLERANCES OTHERWISE SPEC. ±0.05		ANGLES ±1°	CHECKED
		SCALE	UNIT mm		DESIGNED S.J.LEE
DONGJIN TI.		DWG NO.		SMA-901-020	DATE. 03/MAY/2012

CUSTOMER