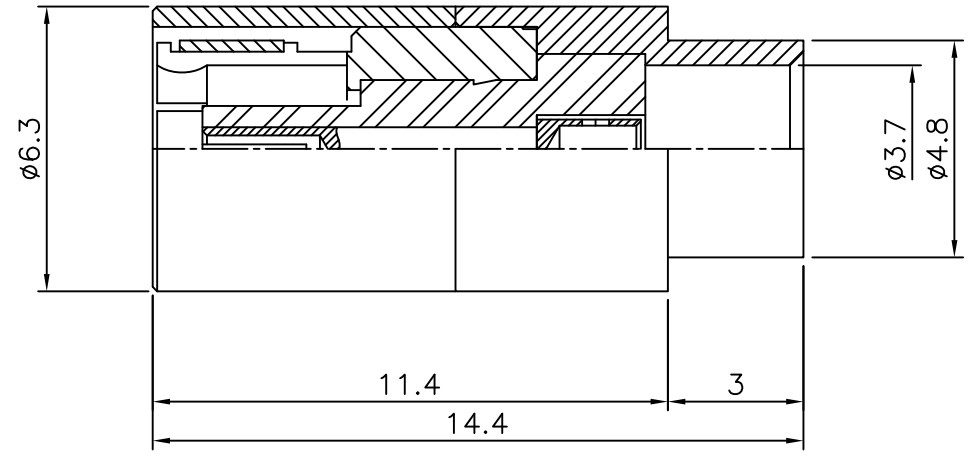


4	No.	Revision	Date	Name
	△			
	△			

RoHS Compliant



SMB—Straight female PLUG
for Cable—UT141

Connector parts	Materials	Finish
Body	Brass	Gold Plated
Center contact	Be—Cu	Gold Plated
Outer contact	Brass	Gold Plated
Insulator	PTFE	—

NO.	DESCRIPTION	Q'TY	MATERIAL	FINISH	REMARKS.
PARTS No.	SMB-102-001	NAME	SMB-SP-141		APPROVED S.J.LEE
MATERIAL	FINISH	TOLERANCES OTHERWISE SPEC. ±0.05		ANGLES ±1°	CHECKED
SCALE		UNIT	mm		DESIGNED S.J.PARK
DWG NO.		SMB-102-001		DATE.	13/AUG/2014

CUSTOMER

