

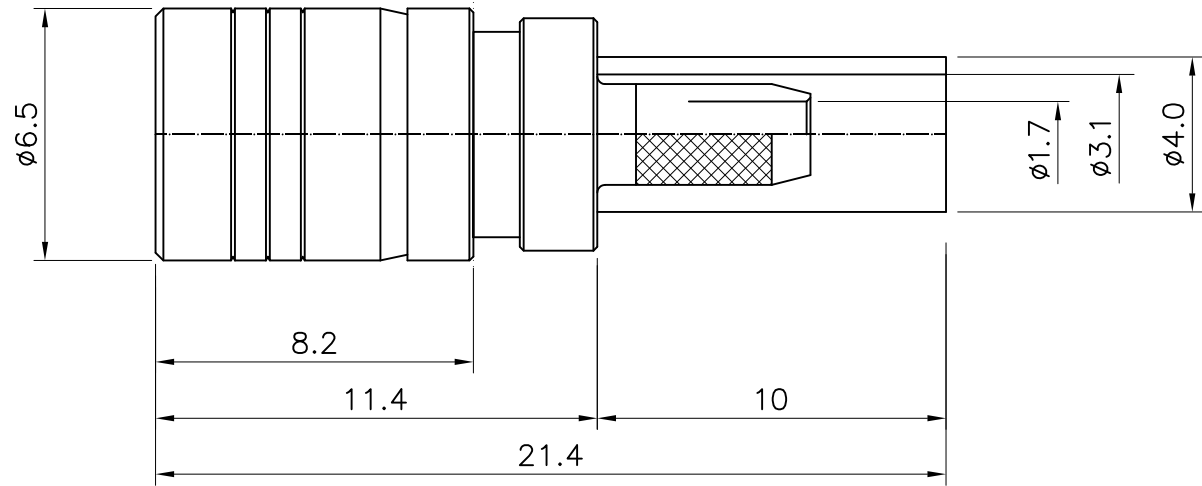
1                      2                      3                      4                      5                      6

No.	Revision	Date	Name
△	PN Change from 1P-111-00	18/06/2013	B.G.YUN
△			

**SPECIFICATIONS**

1. IMPEDANCE: 50 Ohm
2. FREQUENCY RANGE: 0~4GHz
3. VOLTAGE RATING: 335Vrms;
4. INSERTION LOSS: 0.6dB Max
5. INSULATION RESISITANCE: 1000M Ohm.

RoHS Compliant



SMB—Straight female PLUG  
for Cable—RG316,174

Connector parts	Materials	Finish
Body	Brass	Gold Plated
Center contact	Be—Cu	Gold Plated
Outer contact	Brass/Be—Cu	Gold Plated
Ferrule	Brass	Gold Plated
Insulator	TEFLON	—

**CUSTOMER**

NO.	DESCRIPTION	Q'TY	MATERIAL	FINISH	REMARKS.
PARTS No.	SMB-111-001		NAME	SMB-SP-316	APPROVED
MATERIAL	FINISH	TOLERANCES OTHERWISE SPEC. ±0.05		ANGLES ±1°	CHECKED
		SCALE	UNIT mm		DESIGNED S.J.LEE
		DWG NO.	SMB-111-001		DATE. 29/NOV/2004