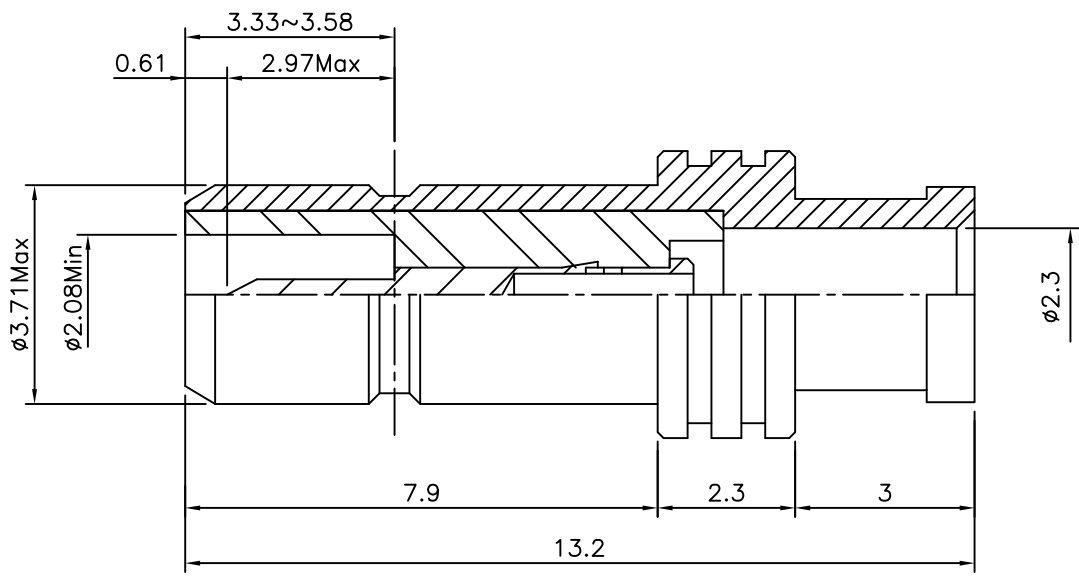


4	5	6	
No.	Revision	Date	Name
△	PN Change from 1P-201-00	16/OCT/2013	S.J.PARK
△			

RoHS Compliant



SMB-Straight-JACK  
for Cable-SF085

Connector parts	Materials	Finish
Body	Brass	Gold Plated
Center contact	Brass	Gold Plated
Insulator	TEFLON	-

NO.	DESCRIPTION	Q'TY	MATERIAL	FINISH	REMARKS.
PARTS No.	SMB-201-001		NAME	SMB-SJ-085	APPROVED
MATERIAL	FINISH	TOLERANCES OTHERWISE SPEC. ±0.05		ANGLES ±1°	CHECKED
SCALE		UNIT	mm		DESIGNED S.J.LEE
DWG NO.		SMB-201-001		DATE.	2001.05/07

CUSTOMER

