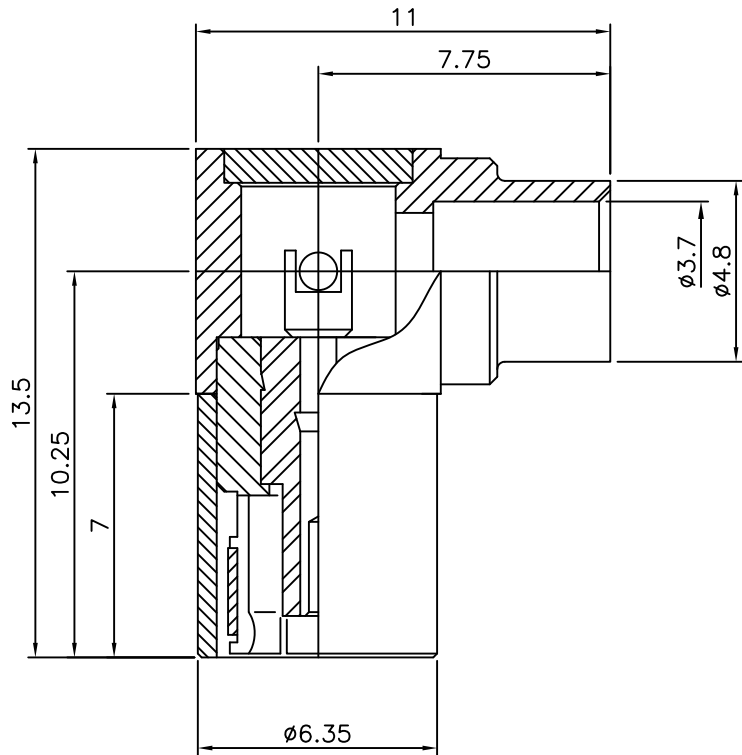


No.	Revision	Date	Name
△	structure Change	21/AUG/2014	S.J.PARK
△			

RoHS Compliant



SMB-RIGHT ANGLE FEMALE PLUG
for Cable-UT141

Connector parts	Materials	Finish
Body	Brass	Gold Plated
Center contact	Be-Cu	Gold Plated
Insulator	PTFE	-

NO.	DESCRIPTION	Q'TY	MATERIAL	FINISH	REMARKS.
PARTS No.	SMB-302-001	NAME	SMB-LP-141		APPROVED S.J.LEE
MATERIAL	FINISH	TOLERANCES OTHERWISE SPEC. ±0.05		ANGLES ±1°	CHECKED
SCALE		UNIT	mm		DESIGNED S.J.PARK
DWG NO.		SMB-302-001		DATE.	13/AUG/2014

CUSTOMER



DONGJIN TI.