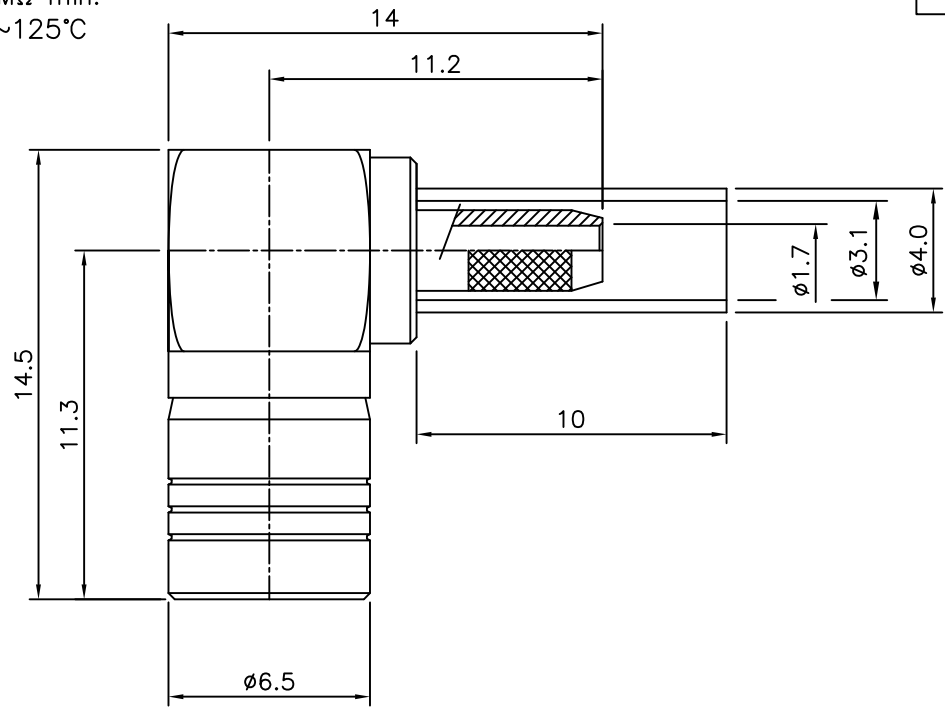


4	5	6	
No.	Revision	Date	Name
△	PN Change from 1P-311-00	21/08/2013	B.G.YUN
△			

SPECIFICATIONS;
 Impedance : 50 ohm
 Frequency Range : DC~4GHz
 Insulation Resistance : 1000MΩ min.
 Temperature Range : -65~125°C
 V.S.W.R : 1.20:1@4GHz

RoHS Compliant



SMB-Right Angle-PLUG
 for Cable-RG316,174

Connector parts	Materials	Finish
Body	Brass	Gold Plated
Center contact	Be-Cu	Gold Plated
Ferrule	Brass	Gold Plated
Insulator	TEFLON	-

CUSTOMER

NO.	DESCRIPTION	Q'TY	MATERIAL	FINISH	REMARKS.
PARTS No.	SMB-311-001	NAME	SMB-R/A-P316		APPROVED
MATERIAL	FINISH	TOLERANCES OTHERWISE SPEC. ±0.05		ANGLES ±1°	CHECKED
		SCALE	UNIT mm		DESIGNED S.J.LEE
		DWG NO.	SMB-311-001		DATE. 29/AUG/2007

