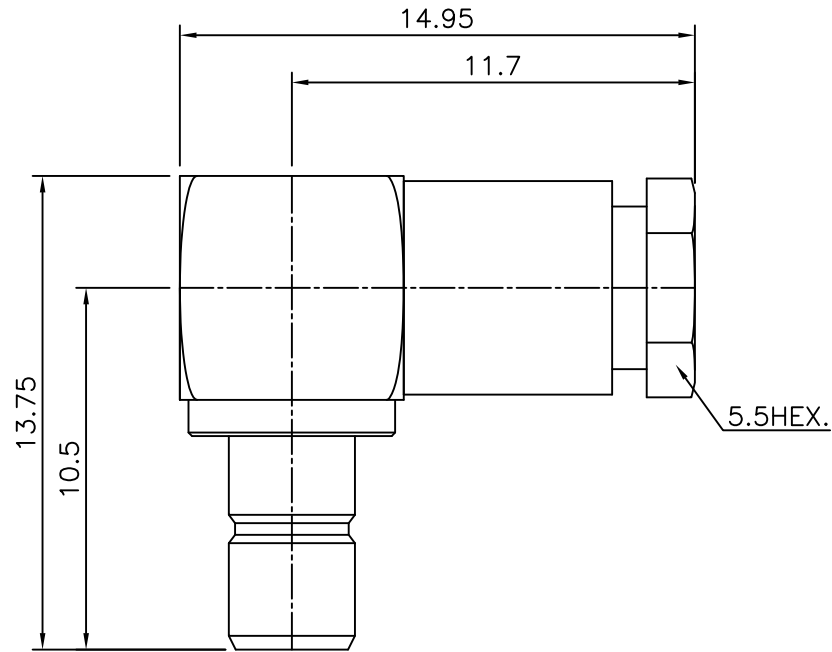


4	No.	Revision	Date	Name
	△	PN Change from 1P-3221-00	14/FEB/2014	S.J.PARK
	△			

RoHS Compliant



SMB-Right Angle JACK CLAMP  
for Cable-RG316

Connector parts	Materials	Finish
Body	Brass	Gold Plated
Clamp nut	Brass	Gold Plated
Center contact	Brass	Gold Plated
Insulator	PTFE	-

NO.	DESCRIPTION	Q'TY	MATERIAL	FINISH	REMARKS.
PARTS No.	SMB-311-003	NAME	SMA-RA JACK 316		APPROVED
MATERIAL	FINISH	TOLERANCES OTHERWISE SPEC. ±0.05		ANGLES ±1°	CHECKED
SCALE		UNIT	mm		DESIGNED S.J.LEE
DWG NO.		SMB-311-003		DATE.	06/SEP/2007

*CUSTOMER*

