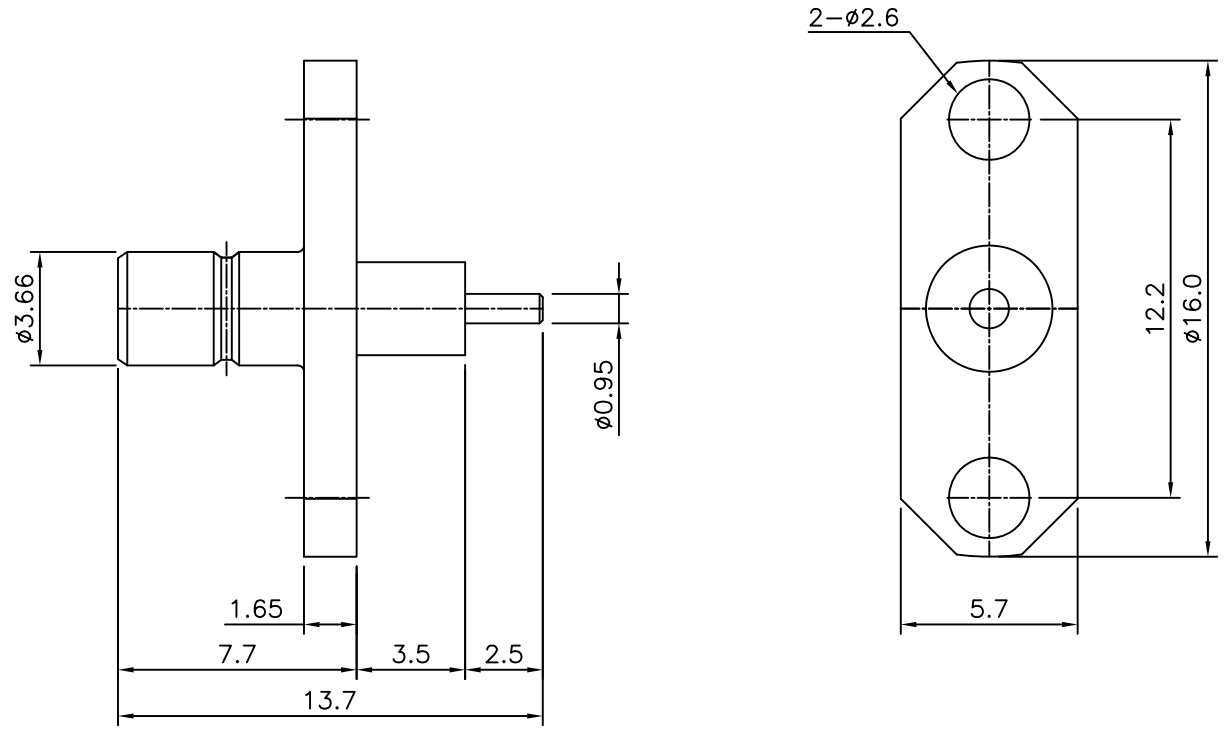


No.	Revision	Date	Name
1	PN Change from 1P-504-01	20/FEB/2014	S.J.PARK



Connector parts	Materials	Finish
Body	Brass	Gold Plated
Center contact	Brass	Gold Plated
Insulator	PTFE	-

SMB-FEMALE-2H
Receptacle with Coaxial End

NO.	DESCRIPTION	Q'TY	MATERIAL	FINISH	REMARKS.
PARTS No.	SMB-502-001	NAME		SMB-F-2H Receptacle	APPROVED
MATERIAL	FINISH	TOLERANCES		OTHERWISE SPEC. ±0.05	ANGLES ±1°
CHECKED		SCALE	UNIT	mm	DESIGNED S.J.LEE
DWG NO.		SMB-502-001		DATE. 15/DEC/2008	

CUSTOMER

