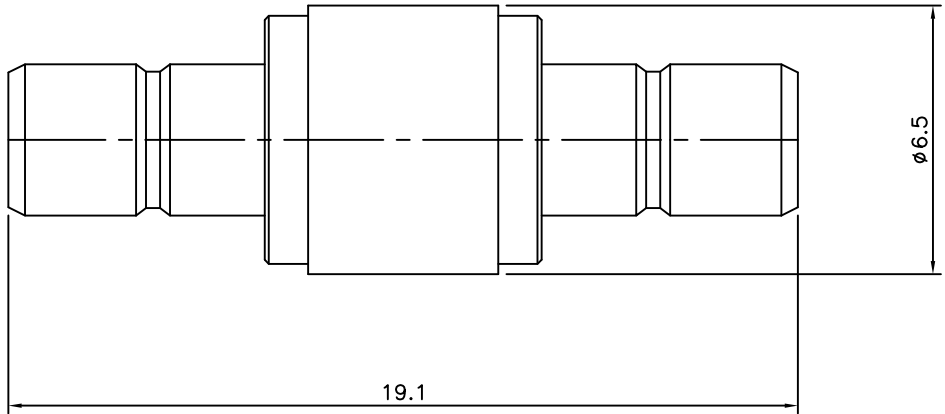


4	No.	Revision	Date	Name
	△	PN Change form 1P-802-00	20/12/2013	B.G.YUN
	△			

RoHS Compliant



SMB JACK to JACK-ADAPTOR

Connector parts	Materials	Finish
Body	Brass	Gold Plated
Center contact	Brass	Gold Plated
Insulator	PTFE	-

NO.	DESCRIPTION	Q'TY	MATERIAL	FINISH	REMARKS.
PARTS No.	SMB-803-001		NAME	SMB/JJ-ADAPTOR	APPROVED
MATERIAL	FINISH	TOLERANCES OTHERWISE SPEC. ±0.05		ANGLES ±1°	CHECKED
SCALE		N/S	UNIT	mm	DESIGNED S.J.LEE
DWG NO.		SMB-803-001		DATE.	04/MAY/2006

CUSTOMER

