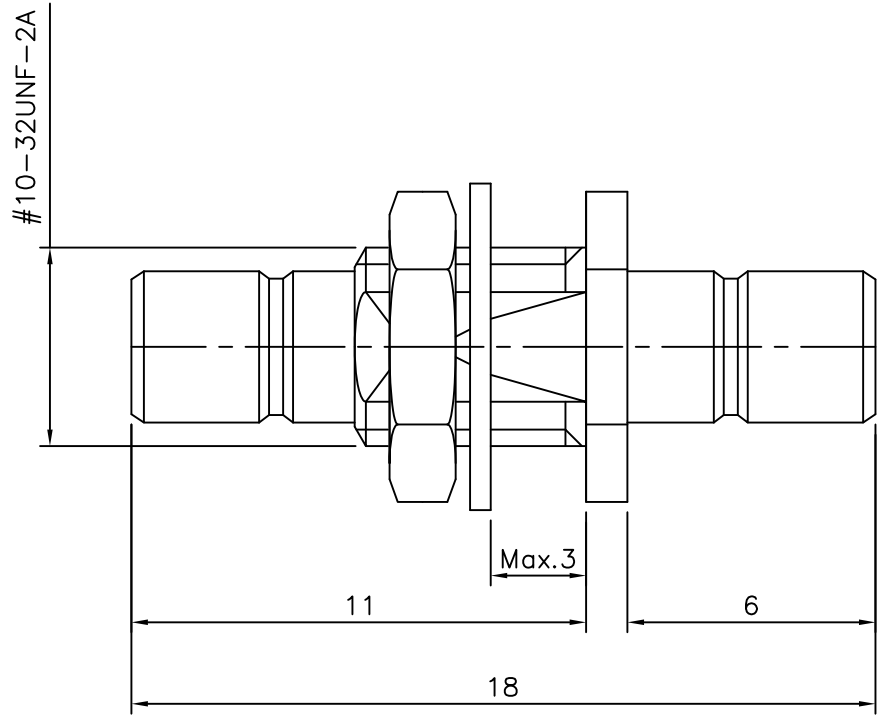
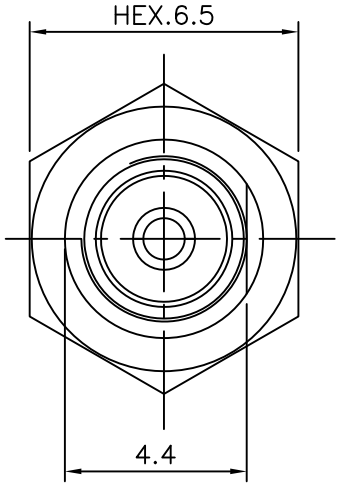


| 4 | 5 | 6 | |
|-----|--------------------------|------------|---------|
| No. | Revision | Date | Name |
| △ | PN Change from 1P-804-18 | 19/12/2013 | B.G.YUN |
| △ | | | |



SMB BULKHEAD JACK to JACK
-ADAPTOR

| Item | Materials | Plating |
|----------------|-----------|-------------|
| Body | BRASS | Gold Plated |
| Center contact | BRASS | Gold Plated |
| Insulator | PTFE | - |

CUSTOMER

| NO. | DESCRIPTION | Q'TY | MATERIAL | FINISH | REMARKS. |
|-----------|-------------|-------------------------------------|----------|---------------------|----------------------|
| PARTS No. | SMB-804-001 | | NAME | SMB/P-SMB/J-ADAPTOR | APPROVED |
| MATERIAL | FINISH | TOLERANCES OTHERWISE SPEC. ±0.05 | | ANGLES ±1° | CHECKED |
| | | SCALE | UNIT | | DESIGNED S.J.LEE |
| | | N/S | mm | | DATE. 15/DEC/2008 |
| | | DWG NO. | | SMB-804-001 | |