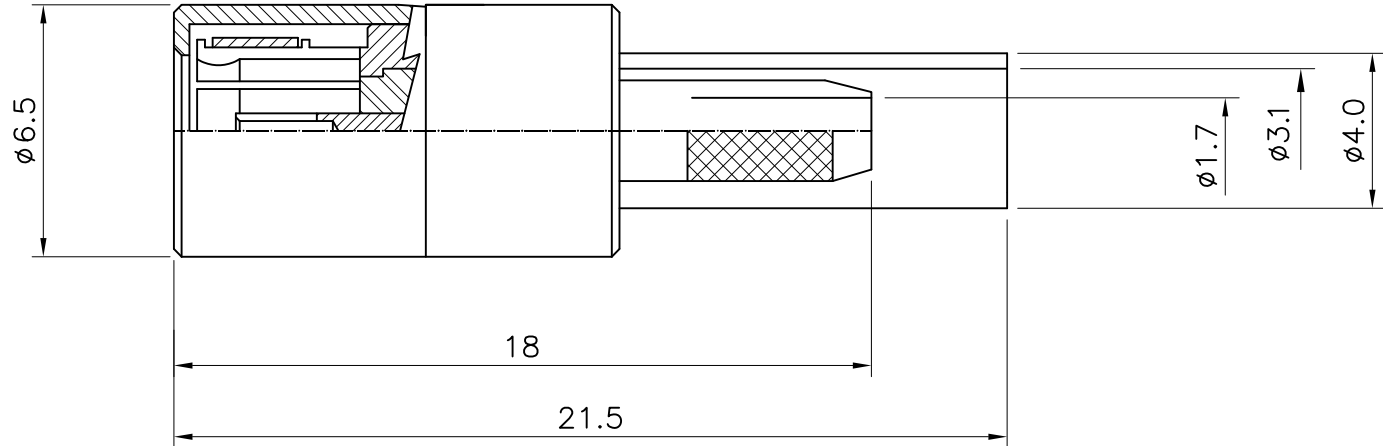


1	2	3	4	5	6
No.	Revision		Date	Name	
△	PN Change from 1P75-111-00		26/07/2013	B.G.YUN	
△					

RoHS Compliant



SMB-Straight-PLUG(75Ohm)
for Cable-RG179

Connector parts	Materials	Finish
Body,Cap	Brass	Gold Plated
Center contact	Be-Cu	Gold Plated
Outer contact	Be-Cu/Brass	Gold Plated
Ferrule	Brass	Gold Plated
Insulator	TEFLON	-

CUSTOMER

NO.	DESCRIPTION	Q'TY	MATERIAL	FINISH	REMARKS.
PARTS No.	SMB75-111-001		NAME	SMB-SP-179	APPROVED
MATERIAL	FINISH	TOLERANCES OTHERWISE SPEC. ±0.05		ANGLES ±1°	CHECKED
		SCALE	UNIT mm		DESIGNED S.J.LEE
		DWG NO.	SMB75-111-001		DATE. 2004/5/31