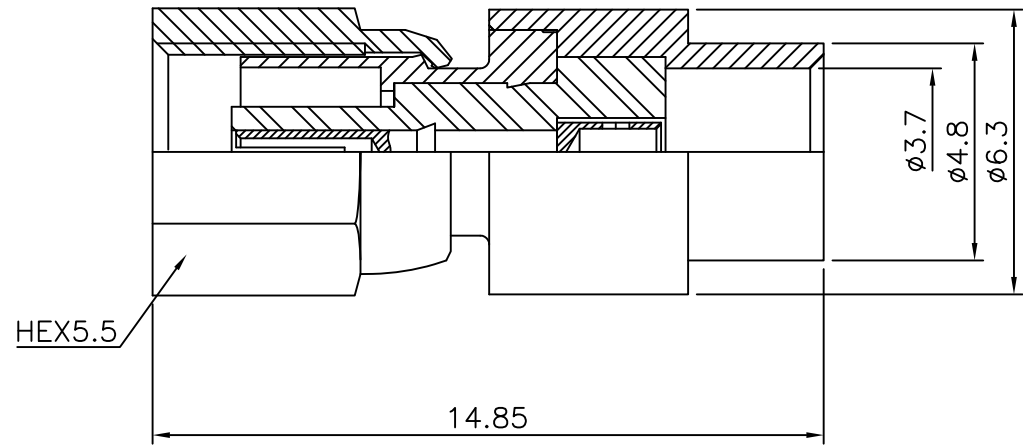


1 2 3 4 5 6

No.	Revision	Date	Name
△			
△			

RoHS Compliant



SMC—Straight female PLUG
for Cable—UT141

Connector parts	Materials	Finish
Coupling cap	Brass	Gold Plated
Body	Brass	Gold Plated
Center contact	Be—Cu	Gold Plated
Insulator	PTFE	—

NO.	DESCRIPTION	Q'TY	MATERIAL	FINISH	REMARKS.
PARTS No.	SMC-102-001	NAME	SMC-SP-141		APPROVED S.J.LEE
MATERIAL	FINISH	TOLERANCES OTHERWISE SPEC. ±0.05		ANGLES ±1°	CHECKED
SCALE		UNIT	mm		DESIGNED S.J.PARK
DWG NO.		SMC-102-001		DATE. 13/AUG/2014	

CUSTOMER

