

1 | 2 | 3 | 4 | 5 | 6

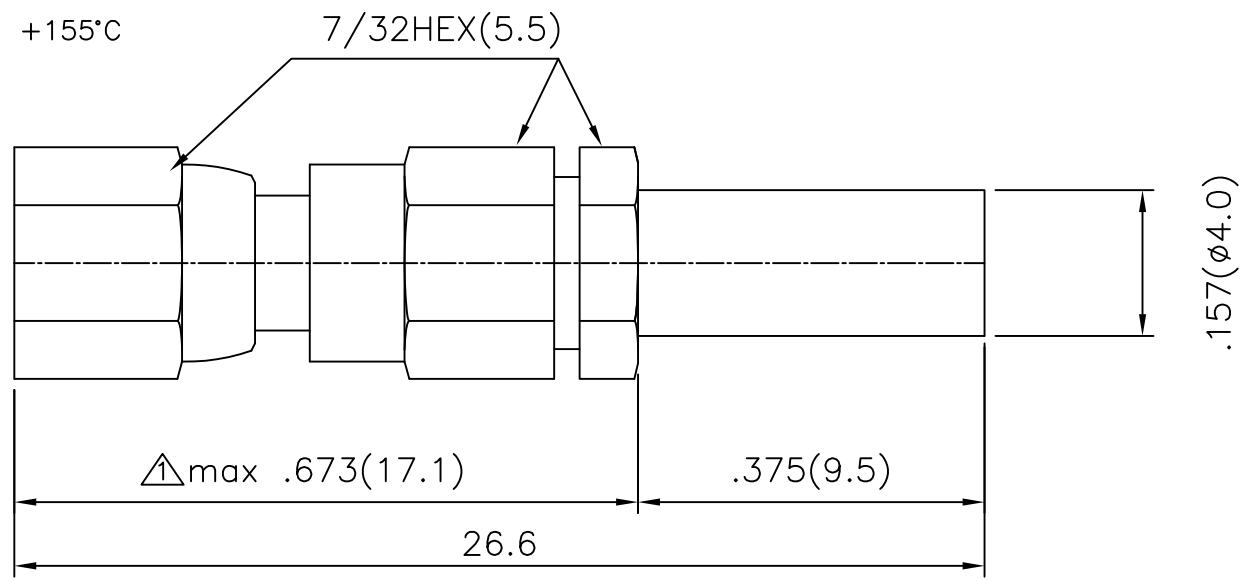
No.	Revision	Date	Name
①	PN Change from 1C-1111-003	14/08/2013	B.G.YUN
②	Length Change from 15.7 to 17.1	12/FEB/2014	B.G.YUN

**SPECIFICATIONS**

Impedance : 50 ohm  
 Frequency Range : DC~10.0GHz  
 V.S.W.R : ≤1.2 at 3GHz  
 Insulation Resistance : 5000MΩ min  
 Contact resistance : inner conductor <6.0mΩ  
 Outer conductor <1.0mΩ  
 RF Leakage : -55 dB(min.)  
 Temperature range : -55°C to +155°C

RoHS Compliant

D  
  
C  
  
B  
  
A



SMC—Straight Female  
 Cable PLUG—RG316  
 (Captive contact)

Connector parts	Materials	Finish
Body	Brass	Gold Plated
Coupling cap	Brass	Gold Plated
Center contact	Beryllium copper	Gold Plated
Insulator	TEFLON	-

CUSTOMER

NO.	DESCRIPTION	Q'TY	MATERIAL	FINISH	REMARKS.
PARTS No.	SMC-111-001		NAME SMC-SP-316 CRIMP		APPROVED
MATERIAL	FINISH	TOLERANCES OTHERWISE SPEC. ±0.05		ANGLES ±1°	CHECKED
SCALE		UNIT mm	DESIGNED S.J.LEE		
DWG NO.		SMC-111-001			DATE. 14/AUG/2013



DONGJIN TI.