

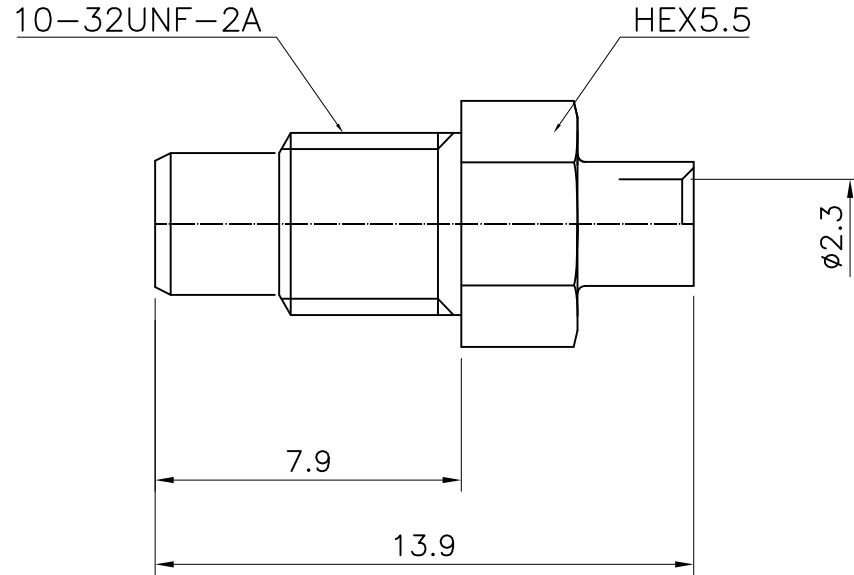
1                      2                      3                      4                      5                      6

| No. | Revision                 | Date       | Name    |
|-----|--------------------------|------------|---------|
| △   | PN Change from 1C-201-00 | 15/10/2013 | B.G.YUN |
| △   |                          |            |         |

**ELECTRICAL RATINGS**

Impedance : 50 ohm  
 Frequency Range : DC~10.0GHz  
 V.S.W.R : 1.40 +0.06xF(GHz)  
 Insertion loss : 0.5dB@4GHz  
 Working Voltage : 250 VRMS max  
 Dielectric Withstanding Voltage : 750V min  
 Insulation Resistance : 5000MΩ min  
 Temperature range : -55~+145°C

RoHS Compliant



SMC—Straight male Cable JACK  
for Cable—UT085

| Connector parts | Materials | Finish      |
|-----------------|-----------|-------------|
| Body            | Brass     | Gold Plated |
| Center contact  | Brass     | Gold Plated |
| Ferrule         | Brass     | Gold Plated |
| Insulator       | TEFLON    | -           |

| NO.       | DESCRIPTION | Q'TY                                | MATERIAL   | FINISH     | REMARKS.             |
|-----------|-------------|-------------------------------------|------------|------------|----------------------|
| PARTS No. | SMC-201-001 | NAME                                | SMC-SJ-085 |            | APPROVED             |
| MATERIAL  | FINISH      | TOLERANCES<br>OTHERWISE SPEC. ±0.05 |            | ANGLES ±1° | CHECKED              |
| SCALE     |             | UNIT                                | mm         |            | DESIGNED<br>S.J.LEE  |
| DWG NO.   |             | SMC-201-001                         |            |            | DATE.<br>07/MAY/2005 |

CUSTOMER

