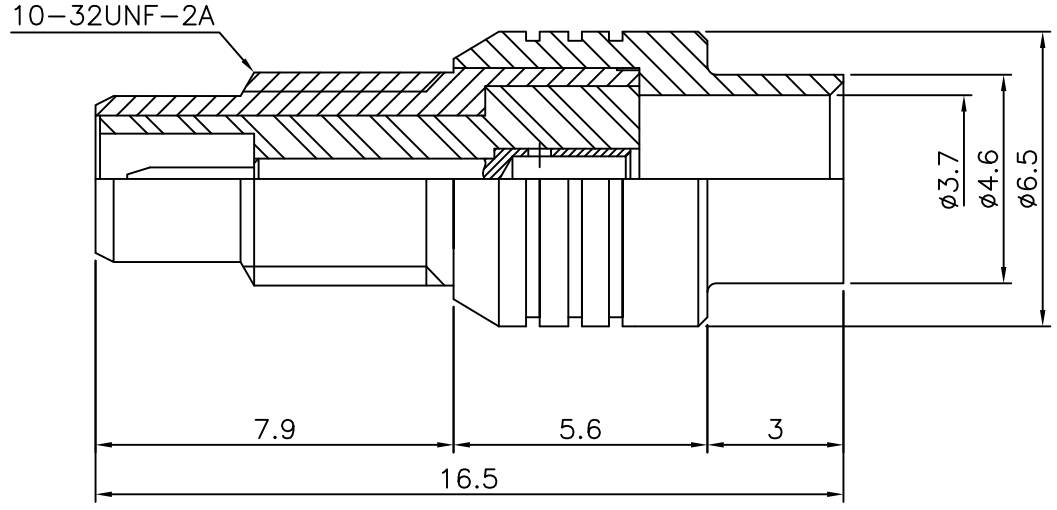


1 2 3 4 5 6

No.	Revision	Date	Name
△			
△			

RoHS Compliant



SMC-Straight-JACK
for Cable-RG402

Connector parts	Materials	Finish
Body	Brass	Gold Plated
Center contact	Brass	Gold Plated
Insulator	PTFE	-

NO.	DESCRIPTION	Q'TY	MATERIAL	FINISH	REMARKS.
PARTS No.	SMC-202-001	NAME	SMC-SJ-402		APPROVED S.J.LEE
MATERIAL	FINISH	TOLERANCES OTHERWISE SPEC. ±0.05		ANGLES ±1°	CHECKED
<i>CUSTOMER</i>		SCALE	UNIT mm		DESIGNED S.J.PARK
		DWG NO.	SMC-202-001		DATE. 11/AUG/2014