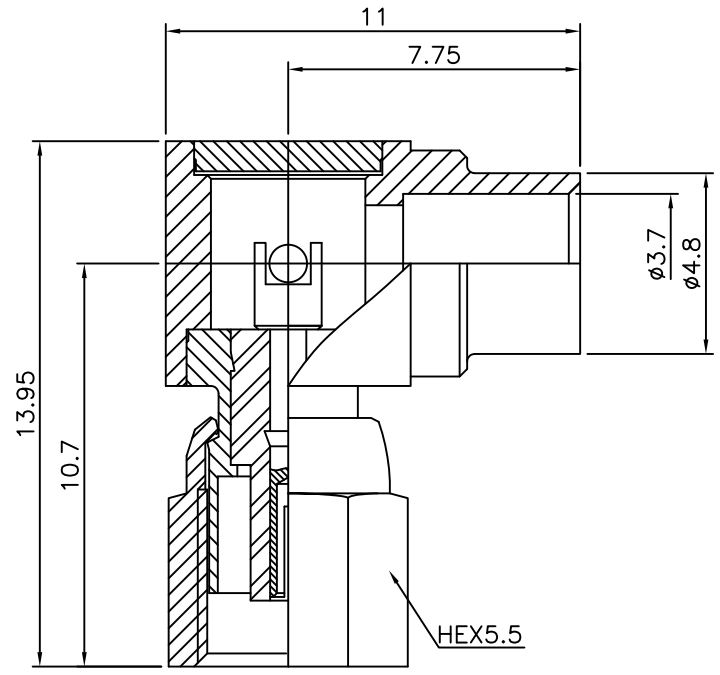


4	5	6
No.	Revision	Date
△	Inner structure Change	22/AUG/2014
△		

RoHS Compliant



SMC-RIGHT ANGLE FEMALE PLUG
for Cable-UT141

Connector parts	Materials	Finish
Coupling cap	Brass	Gold Plated
Body	Brass	Gold Plated
Center contact	Be-Cu	Gold Plated
Insulator	PTFE	-

NO.	DESCRIPTION	Q'TY	MATERIAL	FINISH	REMARKS.
PARTS No.	SMC-302-001	NAME	SMC-LP-141		APPROVED S.J.LEE
MATERIAL	FINISH	TOLERANCES OTHERWISE SPEC. ±0.05		ANGLES ±1°	CHECKED
SCALE		UNIT	mm		DESIGNED S.J.PARK
DWG NO.		SMC-302-001		DATE. 13/AUG/2014	

CUSTOMER



DONGJIN TI.