

NOTES:
1.SPECIFICATIONS

No.	Revision	Date	Name
△	PN Change from 1C-3111-003	30/10/2013	B.G.YUN
△			

RoHS Compliant

D

IMPEDANCE: 50 OHMS (MAIN BODY ONLY, USES 75 OHM CABLE)
 FREQUENCY RANGE: 0-10 GHz
 VSWR: NOT APPLICABLE
 WORKING VOLTAGE: 335 VRMS MAX AT SEA LEVEL
 DIELECTRIC WITHSTANDING VOLTAGE: 1000 VRMS MIN AT SEA LEVEL
 INSULATION RESISTANCE: 1000 MEGOHM MIN
 CONTACT RESISTANCE:

CENTER CONTACT - INITIAL 12 MILLIOHM MAX, AFTER ENVIRONMENTAL 16 MILLIOHM MAX
 OUTER CONDUCTOR - GOLD PLATED INITIAL 1 MILLIOHM MAX. AFTER ENVIRONMENTAL NOT APPLICABLE
 NICKEL PLATED INITIAL 2.5 MILLIOHM MAX. AFTER ENVIRONMENTAL NOT APPLICABLE
 BRAID TO BODY - GOLD PLATING INITIAL 1 MILLIOHM MAX. NICKEL PLATING INITIAL 2.5 MILLIOHM MAX. AFTER ENVIRONMENTAL NOT APPLICABLE

C

CORONA LEVEL: 250 VOLTS MIN AT 70,000 FEET
 INSERTION LOSS: NOT APPLICABLE
 RF LEAKAGE: NOT APPLICABLE
 RF HIGH POTENTIAL WITHSTANDING VOLTAGE: 700 VRMS AT 4 AND 7 MHZ

→

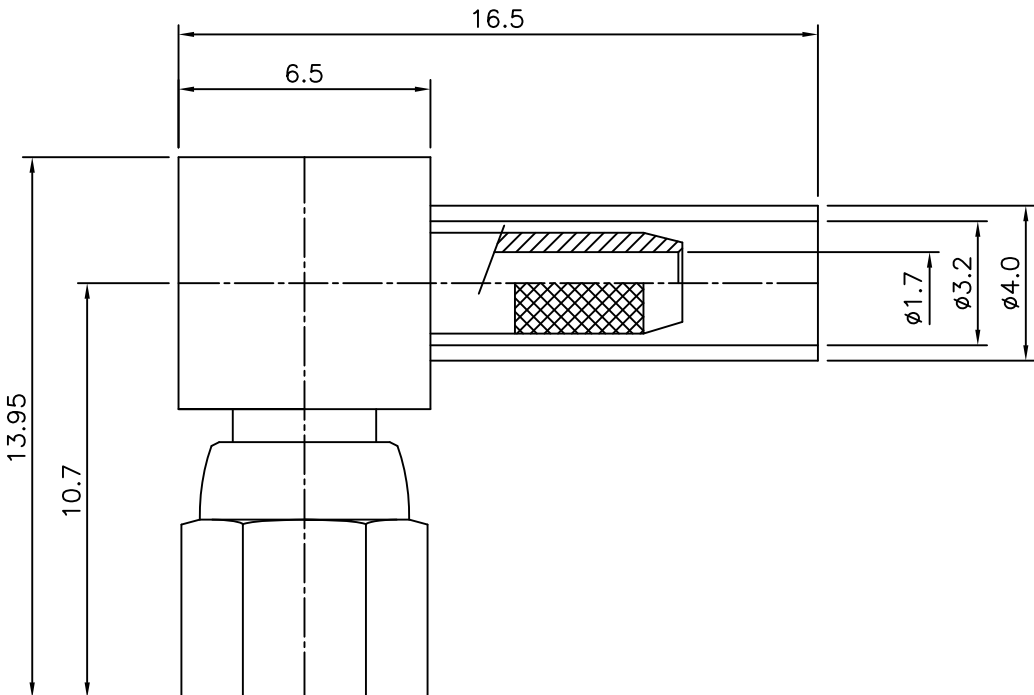
MECHANICAL

ENGAGE/DISENGAGE TORQUE: 16 OUNCE-INCH MAX
 MATING TORQUE: 35-50 OUNCE INCH
 COUPLING PROOF TORQUE: 100 OUNCE-INCH MIN
 COUPLING NUT RETENTION: 35 LBS MIN
 CONTACT RETENTION: 4 LBS MIN AXIAL FORCE
 CABLE ACCEPTABILITY: RG 179/U. RG 1B7/U
 CABLE HEX CRIMP SIZE: .12B
 CABLE RETENSION: 20 LBS MIN OR CABLE BREAKING STRENGTH
 DURABILITY: 500 CYCLES MIN

B

ENVIRONMENTAL:

(MEETS OR EXCEEDS THE APPLICABLE PARAGRAPH OF MIL-C-39012)
 THERMAL SHOCK: MIL-STD-202. METHOD 107. CONDITION B
 OPERATING TEMPERATURE: -65 DEG C TO 165 DEG C
 CORROSION: MIL-STD-202. METHOD 101. CONDITION B
 SHOCK: MIL-STD-202. METHOD 213. CONDITION C
 VIBRATION: MIL-STD-202. METHOD 204. CONDITION D



A

Connector parts	Materials	Finish
Body	Brass	Gold Plated
Ferrule	Brass	Gold Plated
Center contact	Beryllium copper	Gold Plated
Insulator	Teflon	

CUSTOMER

SMC-Right Angle Female Cable PLUG-RG316, RG179

NO.	DESCRIPTION	Q'TY	MATERIAL	FINISH	REMARKS.
PARTS No.	SMC-311-001		NAME	SMC-RA-P316	APPROVED
MATERIAL	FINISH	TOLERANCES OTHERWISE SPEC. ±0.05 ANGLES ±1°			CHECKED
		SCALE	UNIT mm		DESIGNED S.J.LEE
		DWG NO.		SMC-311-001	DATE. 26/JAN/2007