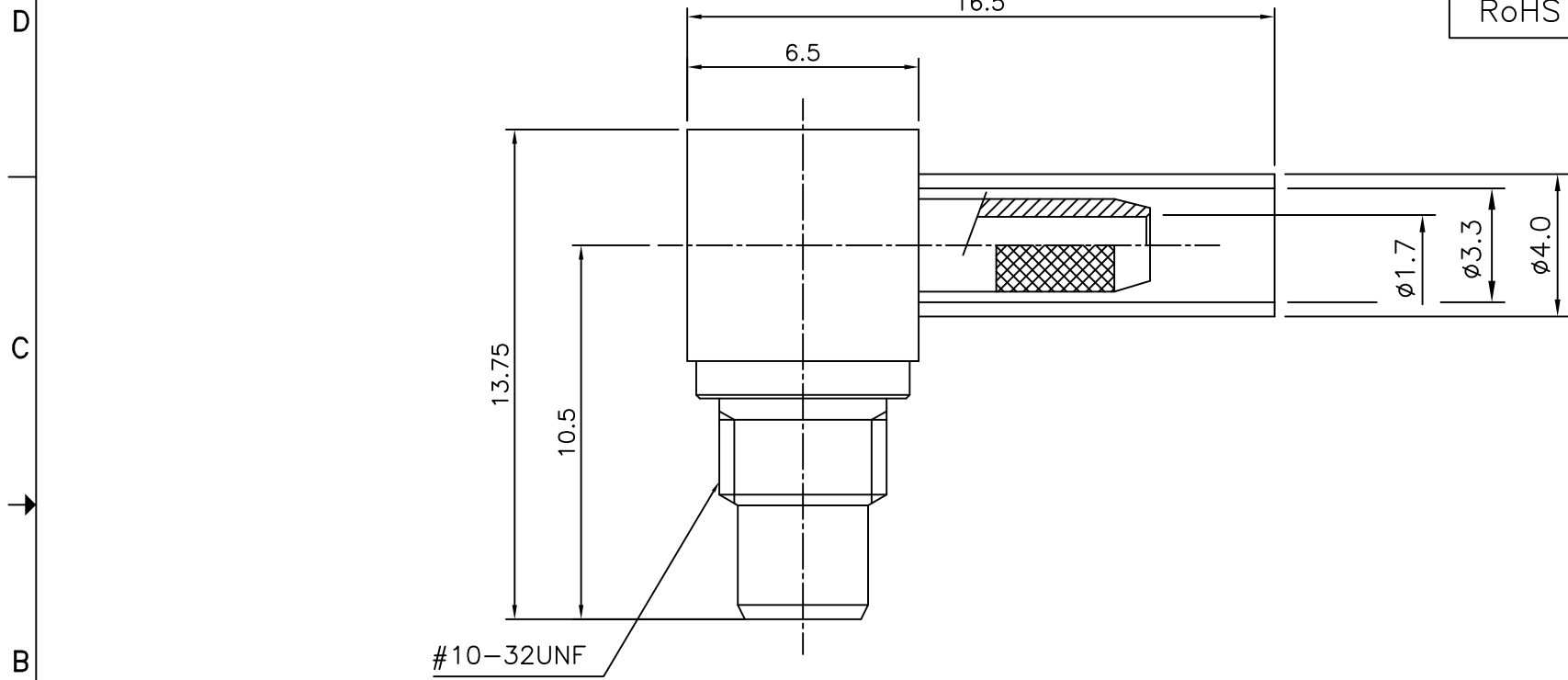


1 2 3 4 5 6

No.	Revision	Date	Name
△			
△			

RoHS Compliant



SMC-Right Angle male
Cable JACK-RG316D/S,174D/S

Connector parts	Materials	Finish
Body	Brass	Gold Plated
Center contact	Brass	Gold Plated
Ferrule	Brass	Gold Plated
Insulator	Teflon	

CUSTOMER

NO.	DESCRIPTION	Q'TY	MATERIAL	FINISH	REMARKS.
PARTS No.	SMC-311-002	NAME	SMC-RA-P316		APPROVED
MATERIAL	FINISH	TOLERANCES OTHERWISE SPEC. ±0.05		ANGLES ±1°	CHECKED
		SCALE	UNIT mm		DESIGNED S.J.LEE
		DWG NO.	SMC-311-002		DATE. 27/FEB/2014

