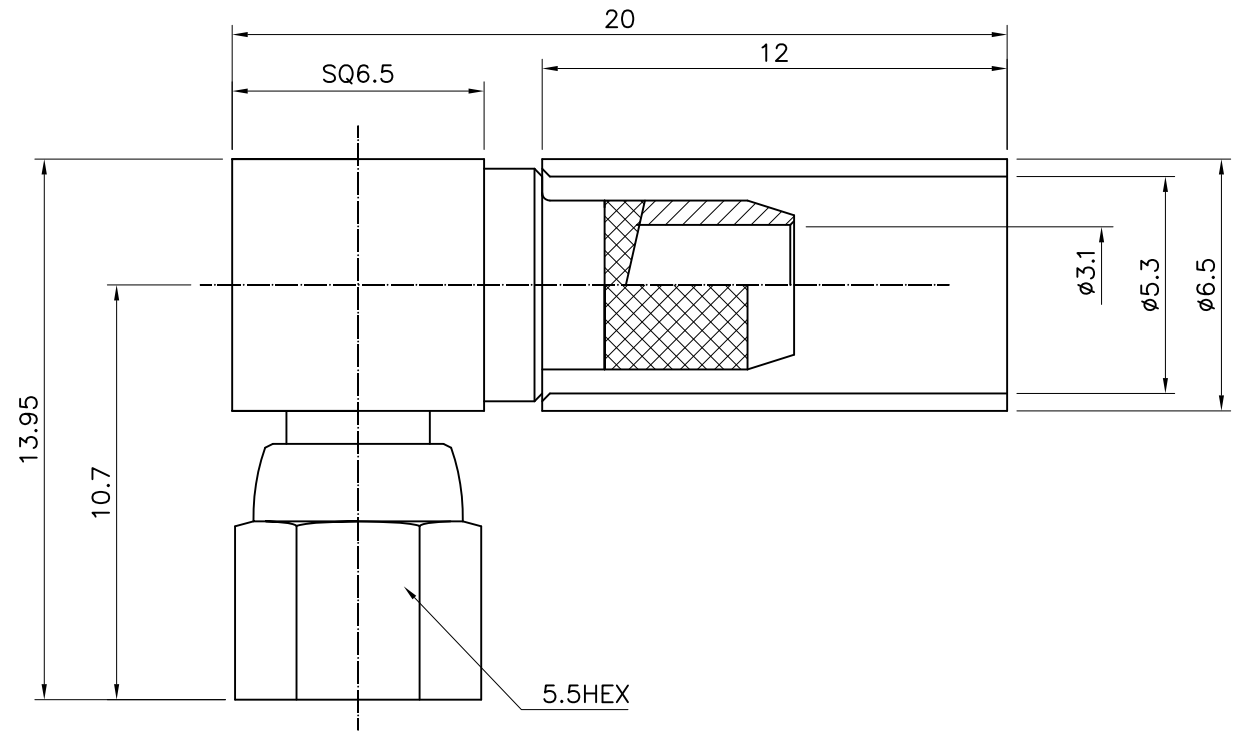


1 2 3 4 5 6

No.	Revision	Date	Name
△			
△			

RoHS Compliant



SMC-Right Angle Female
Cable PLUG-RG58 Crimp type

Connector parts	Materials	Finish
Body	Brass	Gold Plated
Ferrule	Brass	Gold Plated
Center contact	Beryllium copper	Gold Plated
Insulator	Teflon	

CUSTOMER

NO.	DESCRIPTION	Q'TY	MATERIAL	FINISH	REMARKS.
PARTS No.	SMC-312-001	NAME	SMC-RA-P58		APPROVED
MATERIAL	FINISH	TOLERANCES OTHERWISE SPEC. ±0.05		ANGLES ±1°	CHECKED
SCALE		UNIT	mm		DESIGNED S.J.LEE
DWG NO.		SMC-312-001		DATE. 22/AUG/2013	

