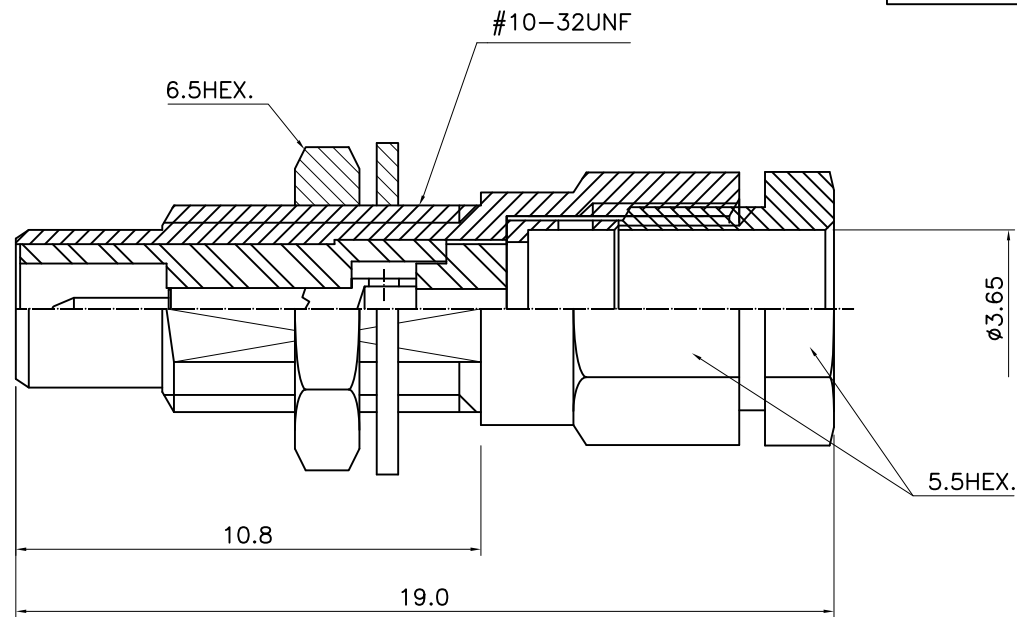


No.	Revision	Date	Name
△	PN Change from 1C-4201-009	18/06/2013	B.G.YUN
△			

RoHS Compliant



SMC-Bulkhead Mounted
Straight Cable JACK-RG402
(Captive contact)

Connector parts	Materials	Finish
Body	BRASS	Gold Plated
Nut,Washer	BRASS	Gold Plated
Center contact	BRASS	Gold Plated
Insulator	Teflon	
Ferrule	BRASS	Gold Plated

NO.	DESCRIPTION	Q'TY	MATERIAL	FINISH	REMARKS.
PARTS No.	SMC-402-001	NAME	SMB-BJ-141		APPROVED
MATERIAL	FINISH	TOLERANCES OTHERWISE SPEC. ±0.05		ANGLES ±1°	CHECKED
SCALE		UNIT	mm		DESIGNED S.J.LEE
DWG NO.		SMC-402-001		DATE.	08/NOV/2010

CUSTOMER

DONGJIN TI.