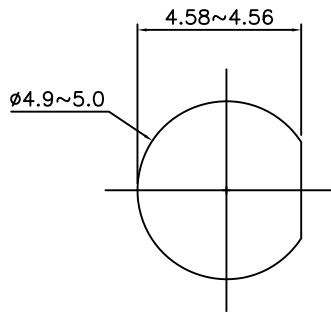


No.	Revision	Date	Name
△			
△			

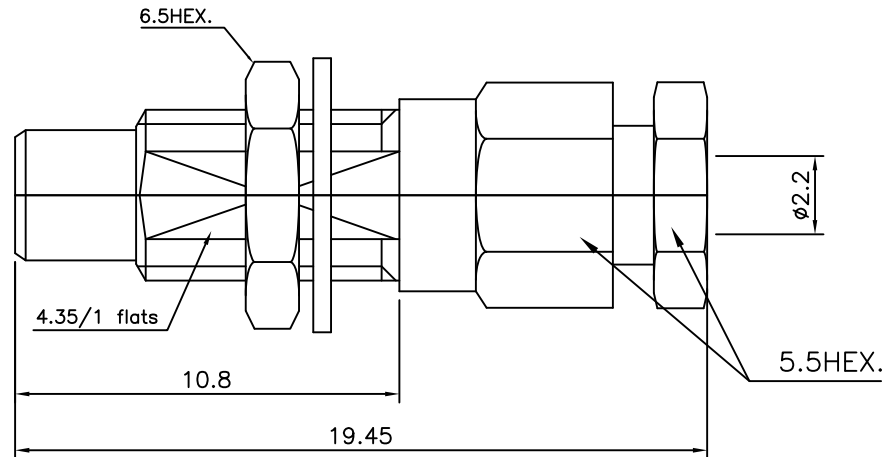
SPECIFICATIONS

Impedance ; 50ohm
 Frequency ; DC ~ 10GHz
 VSWR ; max 1.25:1
 Temperature range : -45°C to +125°C

RoHS Compliant



RECOMMANDED MOUNTING HOLE



SMC-Bulkhead Mounted
 Straight Cable JACK-(RG-178)

Connector parts	Materials	Finish
Body	Brass	Gold Plated
Nut,Washer	Brass	Gold Plated
Center contact	Brass	Gold Plated
Insulator	Teflon	

NO.	DESCRIPTION	Q'TY	MATERIAL	FINISH	REMARKS.
PARTS No.	SMC-410-001	NAME	SMB-BJ-178 CLAMP		APPROVED K.Y.SON
MATERIAL	FINISH	TOLERANCES OTHERWISE SPEC. ± 0.05		ANGLES $\pm 1^\circ$	CHECKED
SCALE		UNIT	mm		DESIGNED M.K.KIM
DWG NO.		SMC-410-001		DATE. 22/OCT/2013	

CUSTOMER

