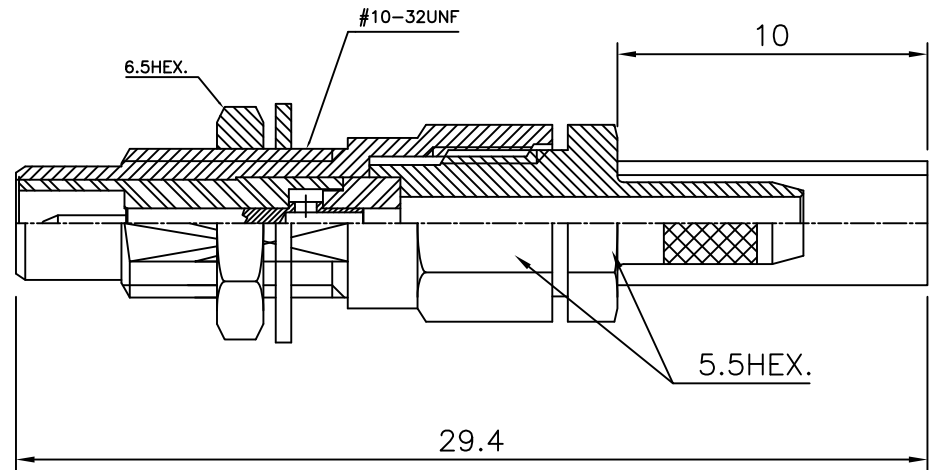


1 2 3 4 5 6

No.	Revision	Date	Name
△			
△			

RoHS Compliant



SMC-Bulkhead male
Cable JACK-RG316,174
(Captive contact)

Connector parts	Materials	Finish
Body,Nut,Washer	BRASS	Gold Plated
Back nut	BRASS	Gold Plated
Center contact	BRASS	Gold Plated
Insulator	Teflon	
Ferrule	BRASS	Gold Plated

NO.	DESCRIPTION	Q'TY	MATERIAL	FINISH	REMARKS.
PARTS No.	SMC-411-001	NAME	SMB-BJ316 CRIMP		APPROVED
MATERIAL	FINISH	TOLERANCES OTHERWISE SPEC. ±0.05		ANGLES ±1°	CHECKED
SCALE		UNIT	mm		DESIGNED S.J.LEE
DWG NO.		SMC-411-001			DATE. 29/JAN/2014

CUSTOMER

