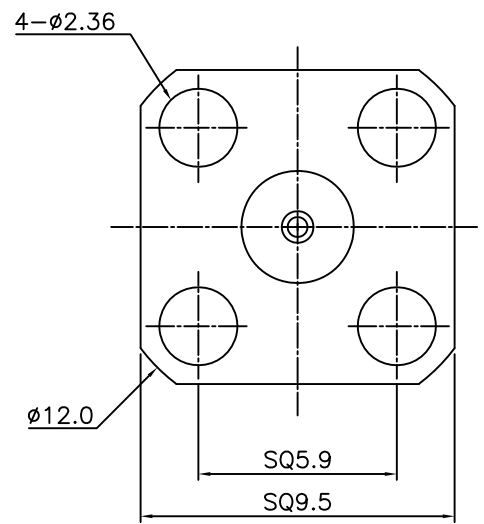
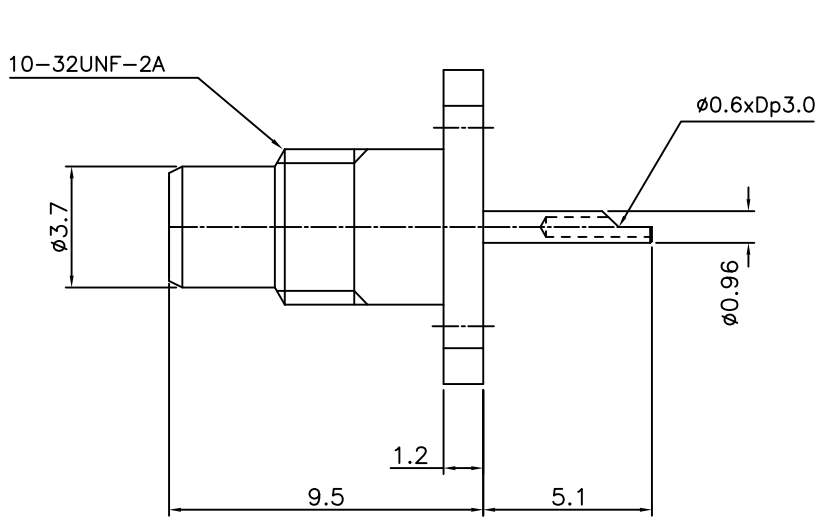


4	5	6
No.	Revision	Date
△		
△		

RoHS Compliant



SMC-4H Flange Mount(.375)
male JACK Receptacle/Solder pot

Connector parts	Materials	Finish
Body	Brass	Gold Plated
Center contact	Brass	Gold Plated
Insulator	PTFE	-

CUSTOMER

NO.	DESCRIPTION	Q'TY	MATERIAL	FINISH	REMARKS.
PARTS No.	SMC-504-002	NAME	SMC-J4H RECEP.		APPROVED
MATERIAL	FINISH	TOLERANCES OTHERWISE SPEC. ±0.05		ANGLES ±1°	CHECKED
SCALE		UNIT	mm		DESIGNED S.J.LEE
DWG NO.		SMC-504-002		DATE.	30/OCT/2013

