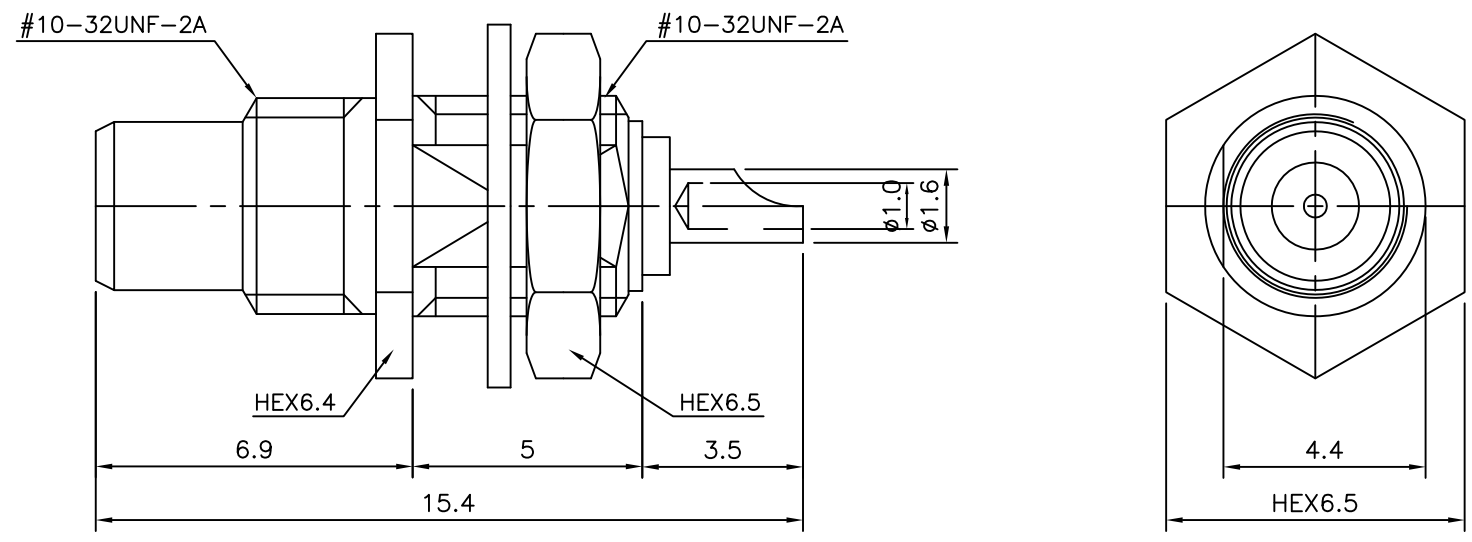


4	5	6	
No.	Revision	Date	Name
△	PN Change from 1C-602-8140	31/OCT/2013	S.J.PARK
△			

RoHS Compliant



SMC Bulkhead Receptacle
Front Mount-JACK (Solder pot)

Connector parts	Materials	Finish
Body,Nut,Washer	Brass	Gold Plated
Center contact	Brass	Gold Plated
Insulator	PTFE	-

CUSTOMER

NO.	DESCRIPTION	Q'TY	MATERIAL	FINISH	REMARKS.
PARTS No.	SMC-506-001	NAME	SMC-BR-JACK		APPROVED
MATERIAL	FINISH	TOLERANCES OTHERWISE SPEC. ±0.05		ANGLES ±1°	CHECKED
SCALE		UNIT	mm		DESIGNED S.J.LEE
DWG NO.		SMC-506-001		DATE.	23/DEC/2010

DONGJIN TI.