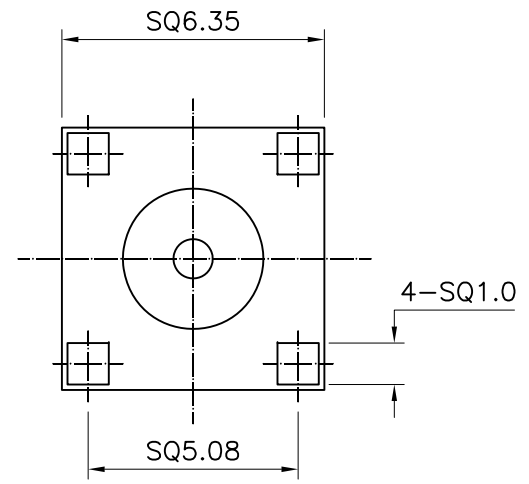
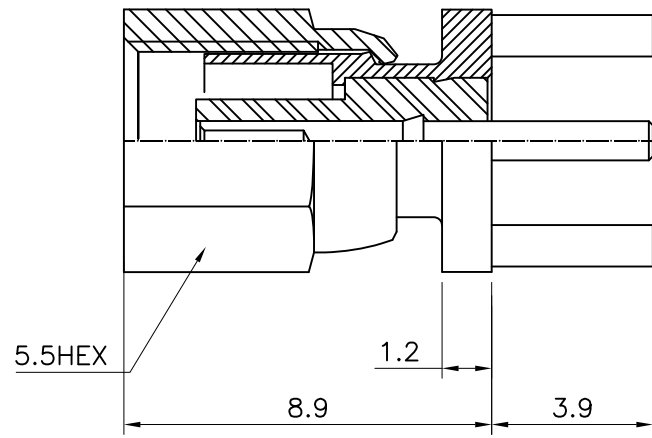


4	No.	Revision	Date	Name
	△			
	△			

RoHS Compliant



SMC STRAIGHT female PLUG  
-PCB MOUNT

Connector parts	Materials	Finish
Body,Coupling cap	Brass	Gold Plated
Center contact	Beryllium copper	Gold Plated
Insulator	PTFE	-

**CUSTOMER**

NO.	DESCRIPTION	Q'TY	MATERIAL	FINISH	REMARKS.
PARTS No.	SMC-601-001	NAME	SMC-ST PCB PLUG		APPROVED
MATERIAL	FINISH	TOLERANCES OTHERWISE SPEC. ±0.05		ANGLES ±1°	CHECKED
		SCALE	UNIT mm		DESIGNED S.J.LEE
		DWG NO.	SMC-601-001		DATE. 18/OCT/2013