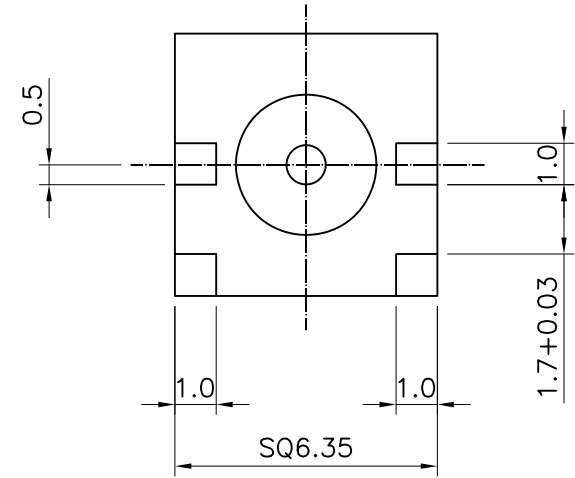
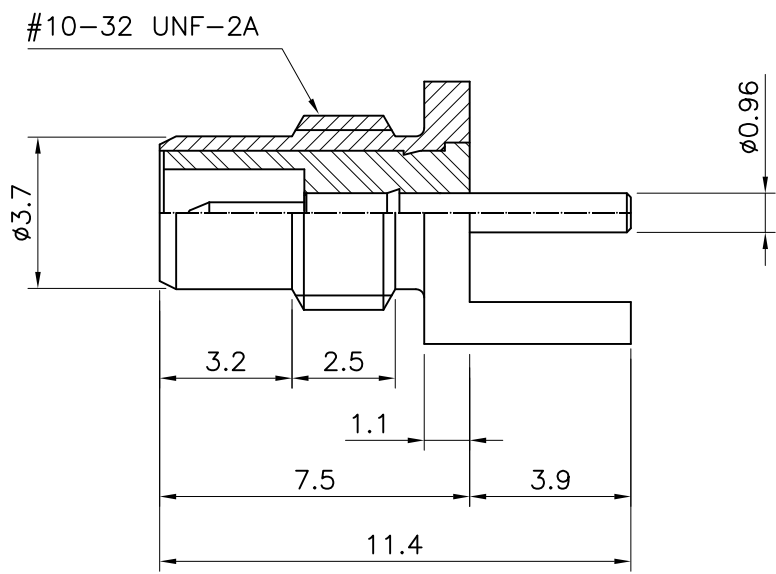


4	5	6	
No.	Revision	Date	Name
△	PN Change from 1C-522-S160	16/08/2013	B.G.YUN
△			

RoHS Compliant



SMC EDGE MOUNT JACK  
-Round Contact(1.57mm PCB)

Connector parts	Materials	Finish
Body	Brass	Gold Plated
Center contact	Brass	Gold Plated
Insulator	PTFE	-

CUSTOMER

NO.	DESCRIPTION	Q'TY	MATERIAL	FINISH	REMARKS.
PARTS No.	SMC-604-002		NAME	SMC-EM PCB JACK	APPROVED
MATERIAL	FINISH	TOLERANCES OTHERWISE SPEC. ±0.05		ANGLES ±1°	CHECKED
SCALE		UNIT	mm		DESIGNED S.J.LEE
DWG NO.		SMC-604-002		DATE. 20/APR/2010	

