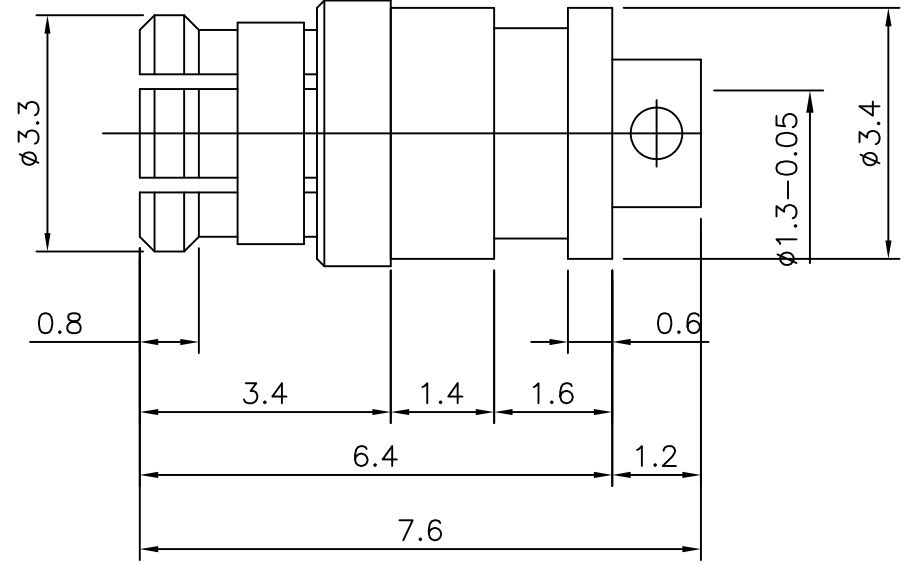
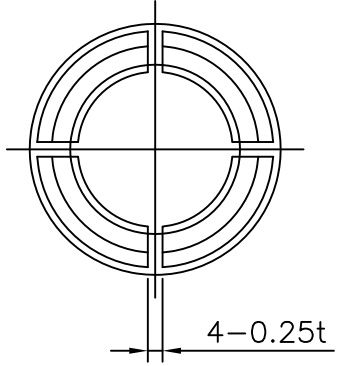


4	No.	Revision	Date	Name
	△			
	△			

RoHS Compliant



NOTES:

- INTERFACE PER MIL-STD-348
- MATERIALS
 BODY,ANTI-ROCK RING,CENTER CONTACT:
 BERYLLIUM COPPER
 CAP: BRASS
 INSULATOR: TEFLON
- FINISHES
 BODY,ANTI-ROCK RING,CENTER CONTACT,CAP:
 GOLD PLATED OVER NICKEL UNDERPLATE
 INSULATOR: NONE
- ELECTRICAL PERFORMANCE:
 NOMINAL IMPEDANCE: 50 OHm
 FREQUENCY RANGE: DC-12GHz
 R.F INSERTION LOSS: 0.1dB Max to 12GHz
 VSWR: 1.20:1 Max to 12GHz

SMP-STRAIGHT FEMALE
for Cable-UT047

CUSTOMER

NO.	DESCRIPTION	Q'TY	MATERIAL	FINISH	REMARKS.
PARTS No.	SMP-100-004	NAME	SMP-SP047		APPROVED
MATERIAL	FINISH	TOLERANCES OTHERWISE SPEC. ±0.05		ANGLES ±1°	CHECKED
		SCALE	UNIT mm		DESIGNED S.J.LEE
DONGJIN TI.		DWG NO.	SMP-100-004		DATE. 23/JAN/2014