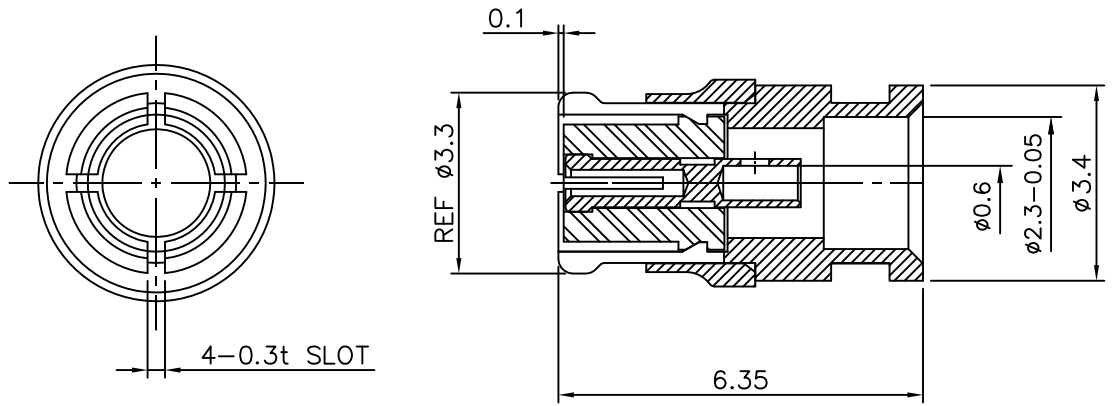


4	5	6	
No.	Revision	Date	Name
△	PN Change from 1MP-101-00	13/AUG/2013	S.J.PARK
△			

SPECIFICATIONS.
 NOMINAL IMPEDANCE: 50 OHm
 FREQUENCY RANGE: DC-12GHz
 INSERTION LOSS: 0.1dB Max to 12GHz
 VSWR: 1.20:1 Max to 12GHz
 D.W.V: 500 VRMS
 INSULATION RESISTANCE: 5000 MOHMS

FORCE TO ENGAGE: 15.0 lbs max. Full Detent
 FORCE TO DISENGAGE: 5.0 lbs max. Full Detent
 MATING CYCLES: 100 Full Detent
 CABLE RETENTION: 200N min.
 WEIGHT: 0.5 gram

RoHS Compliant



SMP-STRAIGHT FEMALE
 for Cable-UT085

Connector parts	Materials	Finish
Body	Beryllium copper	Gold Plated
Center contact	Beryllium copper	Gold Plated
Lock ring	Beryllium copper	Gold Plated
Insulator	TEFLON	-

NO.	DESCRIPTION	Q'TY	MATERIAL	FINISH	REMARKS.
PARTS No.	SMP-101-001	NAME	SMP-SF085		APPROVED
MATERIAL	FINISH	TOLERANCES OTHERWISE SPEC. ±0.05		ANGLES ±1°	CHECKED
SCALE		UNIT	mm		DESIGNED S.J.LEE
DWG NO.		SMP-101-001		DATE.	18/AUG/2011

CUSTOMER

