

| No. | Revision | Date | Name |
|-----|----------|------|------|
| △ | | | |
| △ | | | |

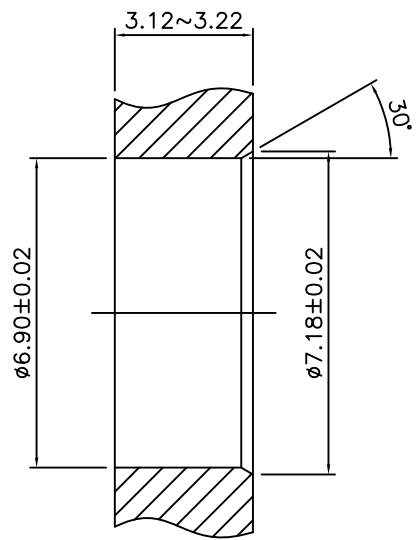
ELECTRICAL PERFORMANCE
 1. FREQUENCY RANGE: DC-18GHz
 2. R.F. INSERTION LOSS: 0.25dB Max to 18GHz
 3. VSWR: 1.2:1 Max to 18GHz

SPRING FORCE
 1. PRE LOAD: 0.81 LBS
 2. .035 COMPRESSION: 2.15 LBS
 3. .125 COMPRESSION: 5.6 LBS

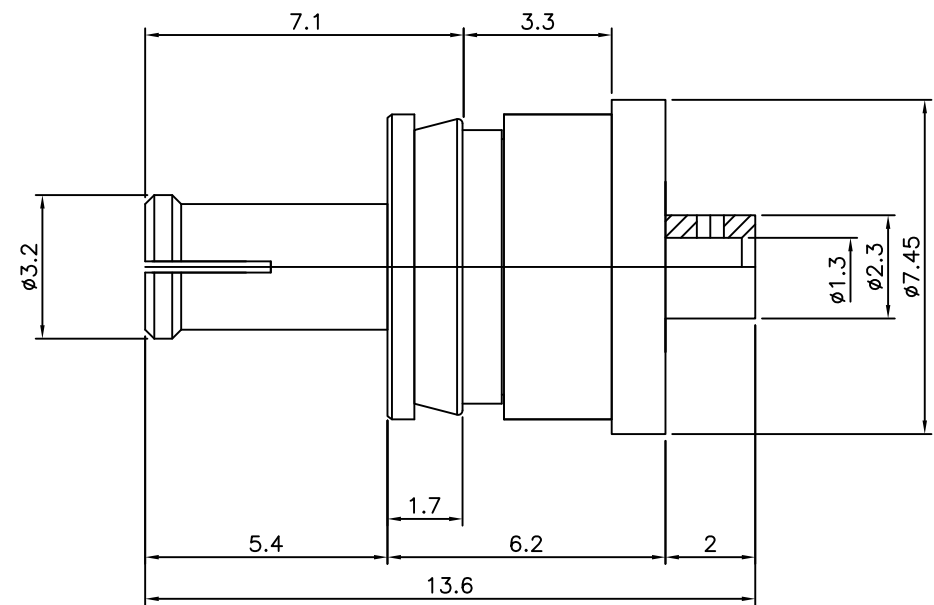
SPRING RATE
 38.5 LBS/INCH

MAX FLOAT
 1. AXIAL: .125 INCH
 2. RADIAL: ±.030 INCH

RoHS Compliant



RECOMMENDED SMP MOUNT HOLE



| Connector parts | Materials | Finish |
|-----------------|------------------|---------------|
| Cap,Cover | Stainless steel | Passivated |
| Body | Brass | Gold Plated |
| Center contact | Beryllium copper | Gold Plated |
| Outer contact | Beryllium copper | Gold Plated |
| Insulator | PTFE | - |
| C-Ring | Beryllium copper | Nickel Plated |
| SPRING | MUSIC WIRE | Nickel Plated |

SMP-Straight FEMALE for Cable-UT047

| NO. | DESCRIPTION | Q'TY | MATERIAL | FINISH | REMARKS. |
|-----------|-------------|----------------------------------|------------------------|-------------------|------------------|
| PARTS No. | SMP-200-001 | | NAME SMP-ST FEMALE 047 | | APPROVED S.J.LEE |
| MATERIAL | FINISH | TOLERANCES OTHERWISE SPEC. ±0.05 | | ANGLES ±1° | CHECKED |
| SCALE | | UNIT mm | DESIGNED S.J.PARK | | |
| DWG NO. | | SMP-200-001 | | DATE. 20/MAY/2013 | |

CUSTOMER

