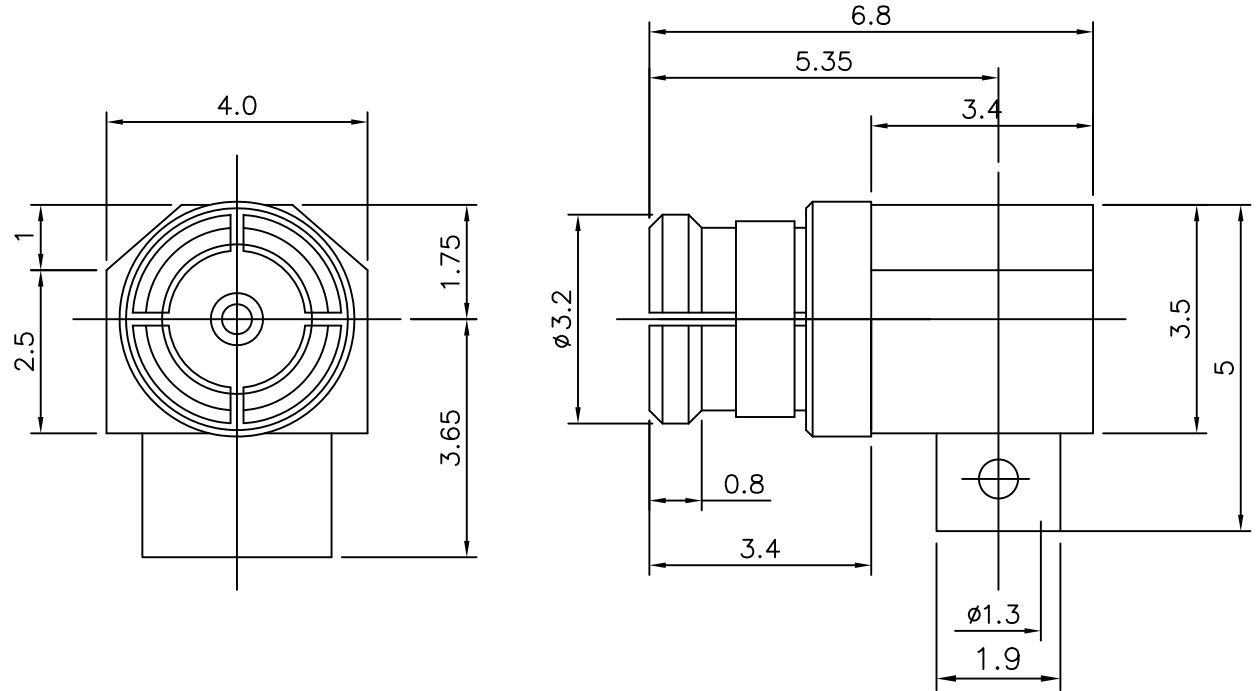


4	5	6	
No.	Revision	Date	Name
△	PN Change from 1MP-300-00	30/10/2013	B.G.YUN
△			



NOTES:

1. INTERFACE PER MIL-STD-348
2. MATERIALS
BODY,ANTI-ROCK RING,CENTER CONTACT:
BERYLLIUM COPPER
CAP: BRASS
INSULATOR: TEFLON
3. FINISHES
BODY,ANTI-ROCK RING,CENTER CONTACT,CAP:
GOLD PLATED OVER NICKEL UNDERPLATE
INSULATOR: NONE
4. ELECTRICAL PERFORMANCE:
NOMINAL IMPEDANCE: 50 OHm
FREQUENCY RANGE: DC-12GHz
R.F INSERTION LOSS: 0.1dB Max to 12GHz
VSWR: 1.25:1 Max to 12GHz

SMP-RIGHT ANGLE FEMALE PLUG
for Cable-UT047

Connector parts	Materials	Finish
Body	Brass	Gold Plated
Center contact	Be-Cu	Gold Plated
C-RING	Be-Cu	Gold Plated
Insulator	TEFLON	-

NO.	DESCRIPTION	Q'TY	MATERIAL	FINISH	REMARKS.
PARTS No.	SMP-300-001		NAME	SMP-LP-047	APPROVED
MATERIAL	FINISH	TOLERANCES OTHERWISE SPEC. ±0.05		ANGLES ±1°	CHECKED
SCALE		UNIT	mm		DESIGNED S.J.LEE
DWG NO.		SMP-300-001		DATE. 11/FEB/2009	

CUSTOMER

