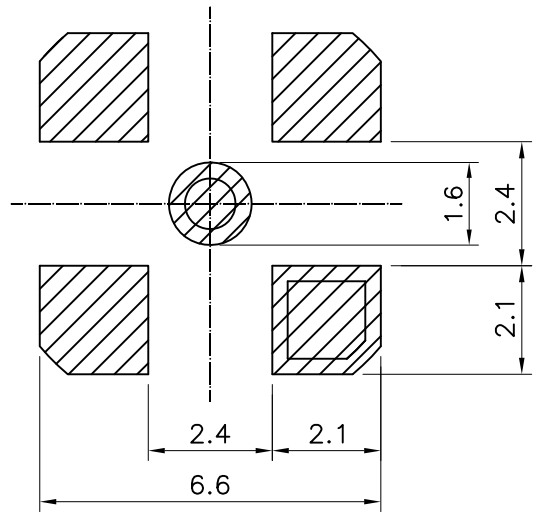
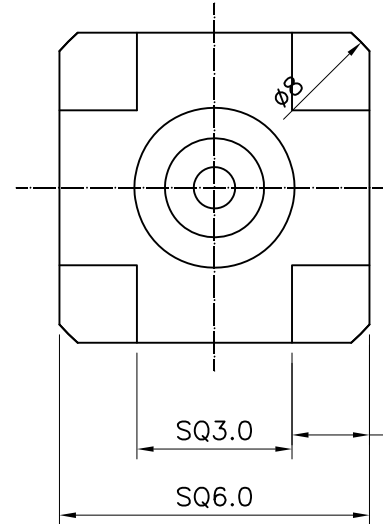
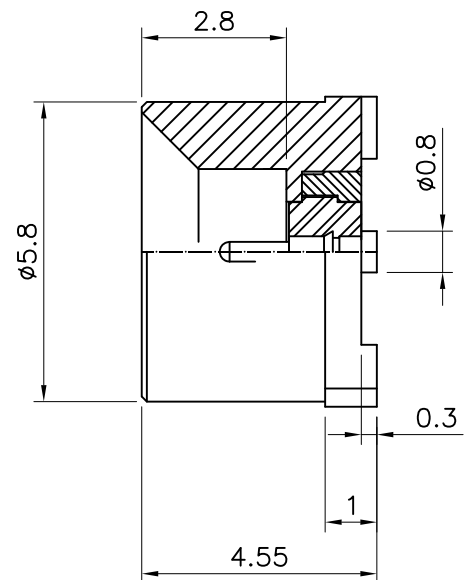


|     |          |      |
|-----|----------|------|
| 4   | 5        | 6    |
| No. | Revision | Date |
| △   |          |      |
| △   |          |      |

RoHS Compliant



SMT-Location  
Solderpad Layout

Electrical Data  
 Impedance : 50 OHm  
 Frequency range : DC~10 GHz  
 Contact current : DC 1.2A MAX.  
 Working voltage : 300V RMS  
 V.S.W.R : ≤1.20  
 Temperature range : -65°C~+125°C

SMP Straight-MALE SMT PCB(50 Ohm)  
(SMOOTH BORE)

|                |                  |             |
|----------------|------------------|-------------|
| Item           | Materials        | Plating     |
| Body           | Brass            | Gold Plated |
| Center contact | Beryllium copper | Gold Plated |
| Insulator      | PTFE             | -           |

CUSTOMER

|           |             |            |                                  |        |                      |
|-----------|-------------|------------|----------------------------------|--------|----------------------|
| NO.       | DESCRIPTION | Q'TY       | MATERIAL                         | FINISH | REMARKS.             |
| PARTS No. | SMP-601-001 | NAME       | SMP-MALE-PCB(SB)                 |        | APPROVED             |
| MATERIAL  | FINISH      | TOLERANCES | OTHERWISE SPEC. ±0.05 ANGLES ±1° |        | CHECKED              |
| SCALE     | UNIT        | mm         |                                  |        | DESIGNED<br>S.J.LEE  |
| DWG NO.   | SMP-601-001 |            |                                  |        | DATE.<br>21/OCT/2013 |

