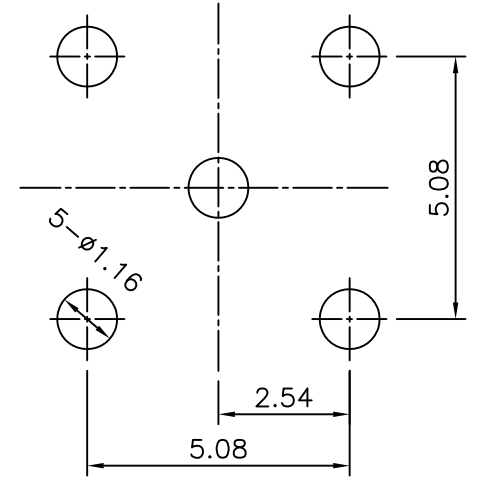
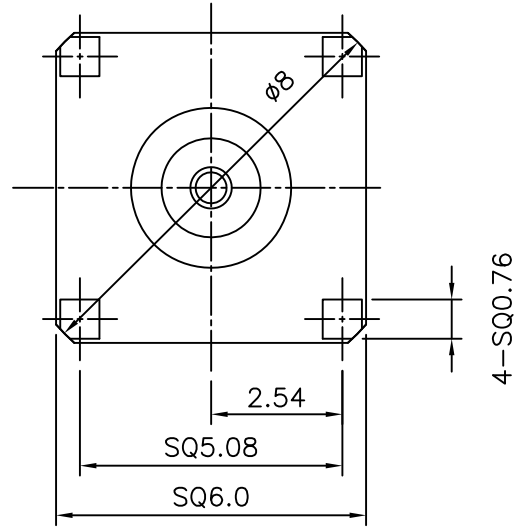
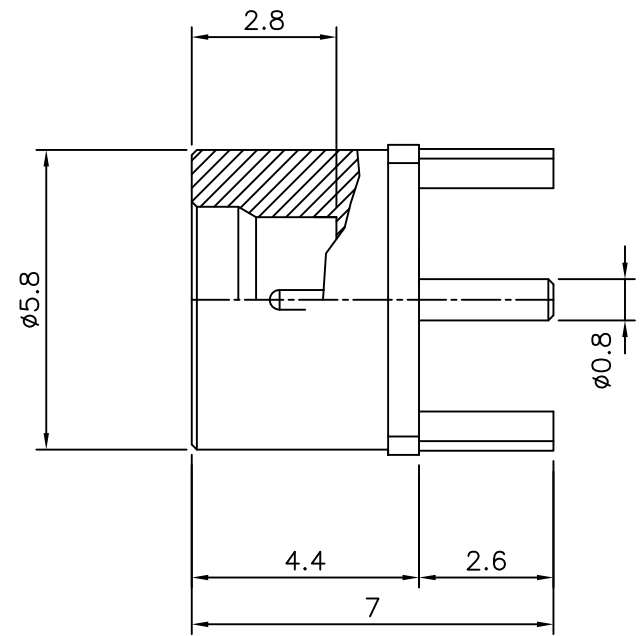


4	5	6
No.	Revision	Date
△		
△		

RoHS Compliant



Electrical Data
 Impedance : 50 OHm
 Frequency range : DC~10 GHz
 Contact current : DC 1.2A MAX.
 Working voltage : 300V RMS
 V.S.W.R : ≤1.20
 Temperature range : -65°C~+125°C

PCB MOUNT HOLES

SMP Straight-PCB MALE JACK(50 Ohm)
 (SMOOTH BORE)

Item	Materials	Plating
Body	Brass	Gold Plated
Center contact	Beryllium copper	Gold Plated
Insulator	PTFE	-

CUSTOMER

NO.	DESCRIPTION	Q'TY	MATERIAL	FINISH	REMARKS.
PARTS No.	SMP-601-006	NAME	SMP-SJ-PCB(SB)		APPROVED
MATERIAL	FINISH	TOLERANCES OTHERWISE SPEC. ±0.05		ANGLES ±1°	CHECKED
		SCALE	UNIT mm		DESIGNED S.J.LEE
DONGJIN TI.		DWG NO.		SMP-601-006	DATE. 06/NOV/2013