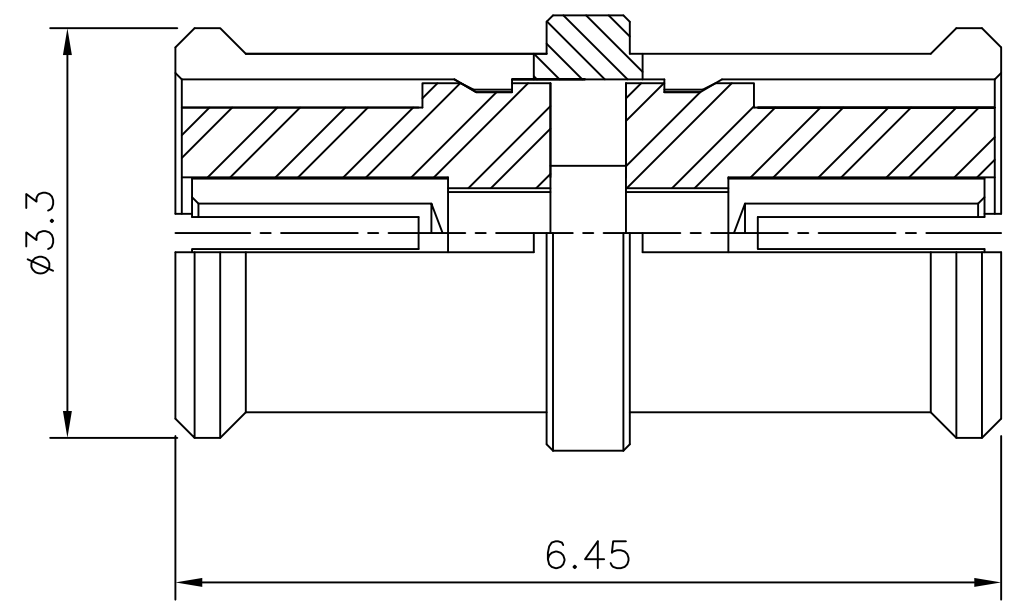
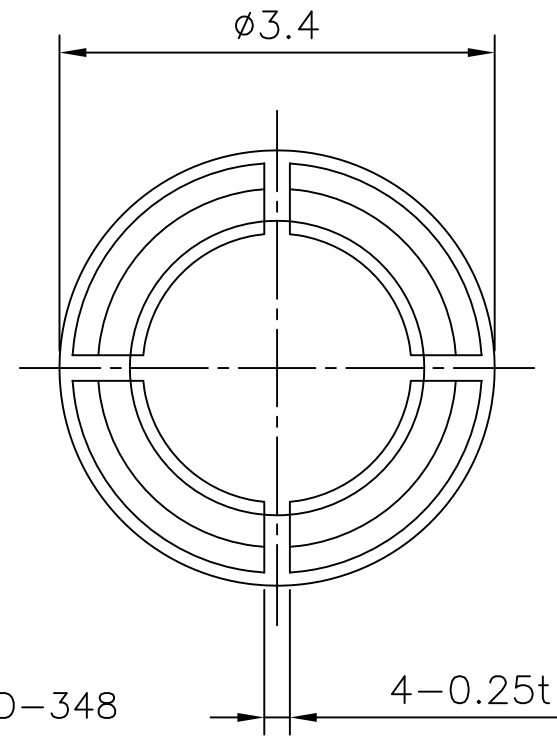


1                      2                      3                      4                      5                      6

No.	Revision	Date	Name
△			
△			

RoHS Compliant



NOTES:

- INTERFACE PER MIL-STD-348
- MATERIALS  
BODY,CENTER CONTACT:  
BERYLLIUM COPPER  
INSULATOR: TEFLON
- FINISHES  
BODY,CENTER CONTACT:  
GOLD PLATED OVER NICKEL UNDERPLATE  
INSULATOR: NONE
- ELECTRICAL PERFORMANCE:  
NOMINAL IMPEDANCE: 50 OHm  
FREQUENCY RANGE: DC-26.5GHz  
VSWR: 1.25:1 Max to 12GHz  
WORKING VOLTAGE: 335V rms

SMP FEMALE-FEMALE ADAPTOR

CUSTOMER

NO.	DESCRIPTION	Q'TY	MATERIAL	FINISH	REMARKS.
PARTS No.	SMP-803-001		NAME	SMP-FF ADAP.	APPROVED
MATERIAL	FINISH	TOLERANCES		CHECKED	
		OTHERWISE SPEC. $\pm 0.05$ ANGLES $\pm 1^\circ$			
SCALE	UNIT	DESIGNED			
	mm	S.J.LEE			
DWG NO.	SMP-803-001	DATE.			
		20/APR/2010			

