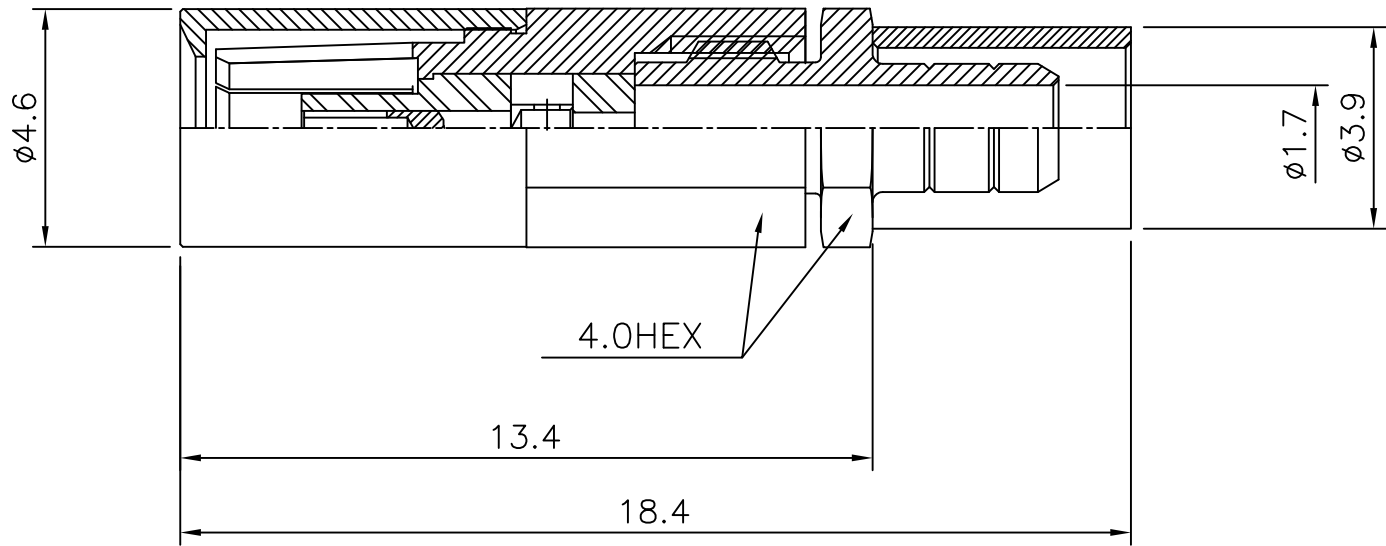


1                      2                      3                      4                      5                      6

No.	Revision	Date	Name
△			
△			

RoHS Compliant



SSLB—Straight Female  
Cable PLUG—RG316,174

Connector parts	Materials	Finish
Sleeve,Nut	BRASS	Gold Plated
Outer contact	Beryllium copper	Gold Plated
Center contact	Beryllium copper	Gold Plated
Insulator	Teflon	—
Ferrlue	BRASS	Gold Plated

NO.	DESCRIPTION	Q'TY	MATERIAL	FINISH	REMARKS.
PARTS No.	SSLB-111-001	NAME	SSLB-SP316		APPROVED
MATERIAL	FINISH	TOLERANCES OTHERWISE SPEC. ±0.05		ANGLES ±1°	CHECKED
SCALE		UNIT	mm		DESIGNED S.J.LEE
		DWG NO.	SSLB-111-001		DATE. 10/FEB/2011

**CUSTOMER**

D  
C  
B  
A