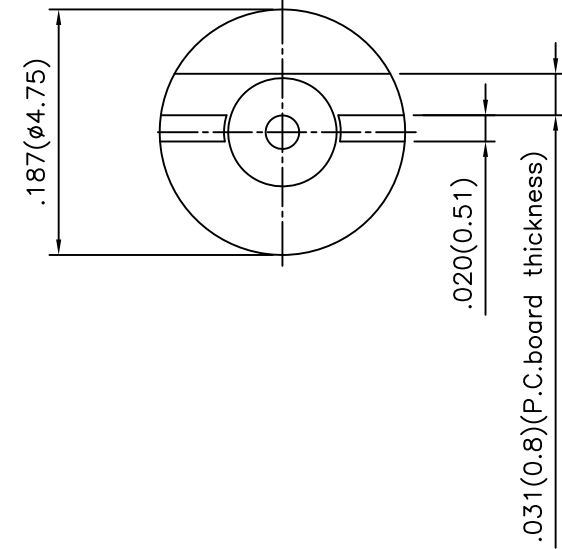
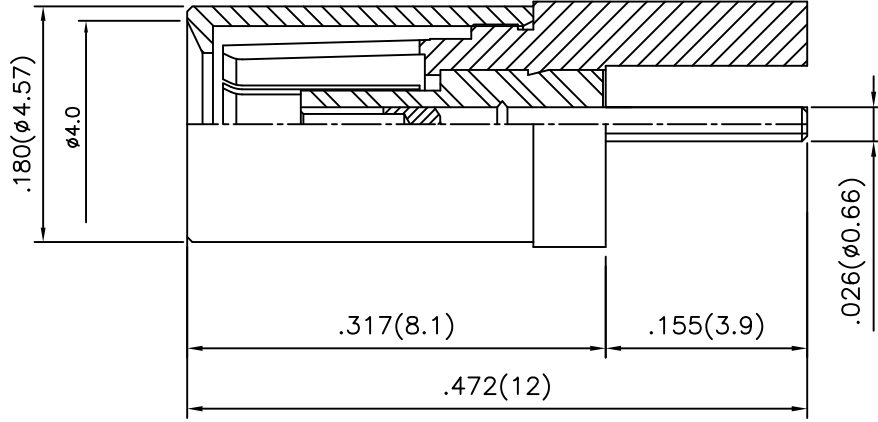


4	5	6	
No.	Revision	Date	Name
△	PN Change from 1LB-512-C080	27/FEB/2014	S.J.PARK
△			

RoHS Compliant



Connector parts	Materials	Finish
Sleeve	Brass	Gold Plated
Body	Beryllium copper	Gold Plated
Center contact	Beryllium copper	Gold Plated
Insulator	PTFE	N/A

SSLB Edge mount PLUG
PCB Receptacle

CUSTOMER



NO.	DESCRIPTION	Q'TY	MATERIAL	FINISH	REMARKS.
PARTS No.	SSLB-601-001	NAME	SSLB E.M PLUG		APPROVED
MATERIAL	FINISH	TOLERANCES OTHERWISE SPEC. ±0.05		ANGLES ±1°	CHECKED
SCALE		UNIT	mm		DESIGNED S.J.LEE
DWG NO.		SSLB-601-001		DATE.	19/NOV/2009