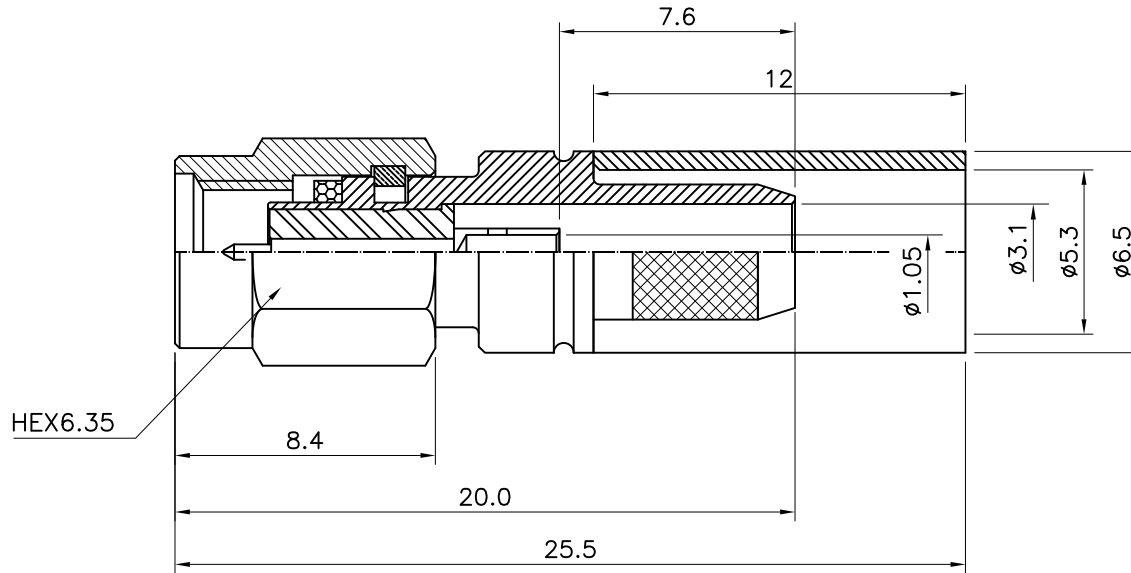


1 2 3 4 5 6

No.	Revision	Date	Name
△			
△			

RoHS Compliant



SSMA-Stright-PLUG
for Cable: LMR195, RG58

Connector parts	Materials	Finish
Coupling Cap	Stainless steel	Passivated
Body	Stainless steel	Passivated
Center contact	Brass	Gold Plated
Ferrule	Brass	Nickel Plated
Insulator	PTFE	-
Gasket	Silicone rubber	-

CUSTOMER

NO.	DESCRIPTION	Q'TY	MATERIAL	FINISH	REMARKS.
PARTS No.	SSMA-112-001		NAME	SSMA-SP-58	APPROVED
MATERIAL	FINISH	TOLERANCES OTHERWISE SPEC. ± 0.05		ANGLES $\pm 1^\circ$	CHECKED
		SCALE	UNIT		DESIGNED S.J.LEE
		N/S	mm		DATE. 17/SEP/2013
DONGJIN TI.		DWG NO.		SSMA-112-001	