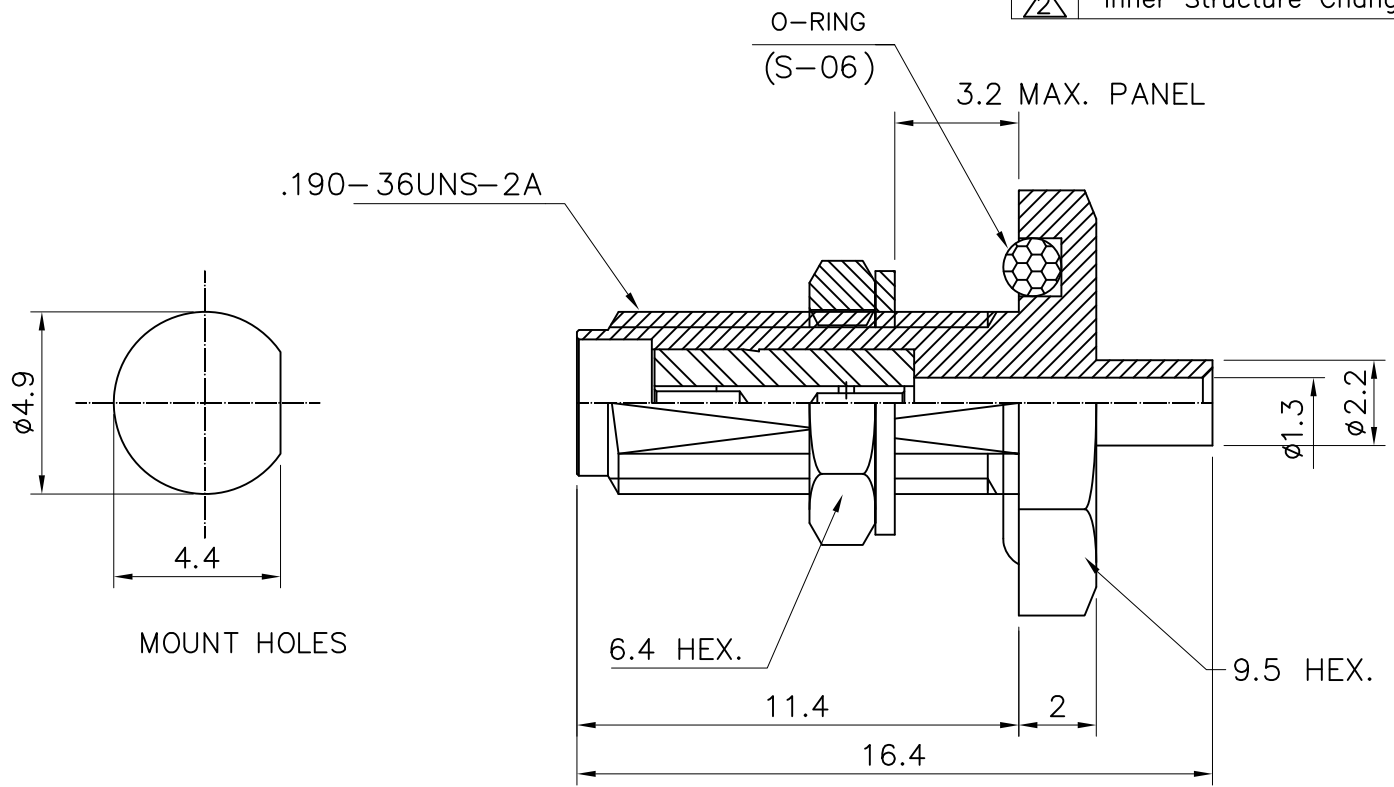


1 2 3 4 5 6

No.	Revision	Date	Name
①	PN Change from 1MA-400-7210	16/10/2013	B.G.YUN
②	Inner Structure Change	16/10/2013	B.G.YUN

RoHS Compliant



SSMA-Bulkhead JACK with Seal
for Cable-UT047

Connector parts	Materials	Finish
Body,Nut	Brass	Gold Plated
Center contact	Beryllium copper	Gold Plated
Insulator	PTFE	-
O-Ring	Silicone Rubber	-

CUSTOMER

NO.	DESCRIPTION	Q'TY	MATERIAL	FINISH	REMARKS.
PARTS No.	SSMA-400-001		NAME	SSMA-BJ047-SEAL	APPROVED
MATERIAL	FINISH	TOLERANCES OTHERWISE SPEC. ±0.05		ANGLES ±1°	CHECKED
		SCALE	UNIT mm		DESIGNED S.J.LEE
		DWG NO.	SSMA-400-001		DATE. 23/DEC/2010

D
C
B
A