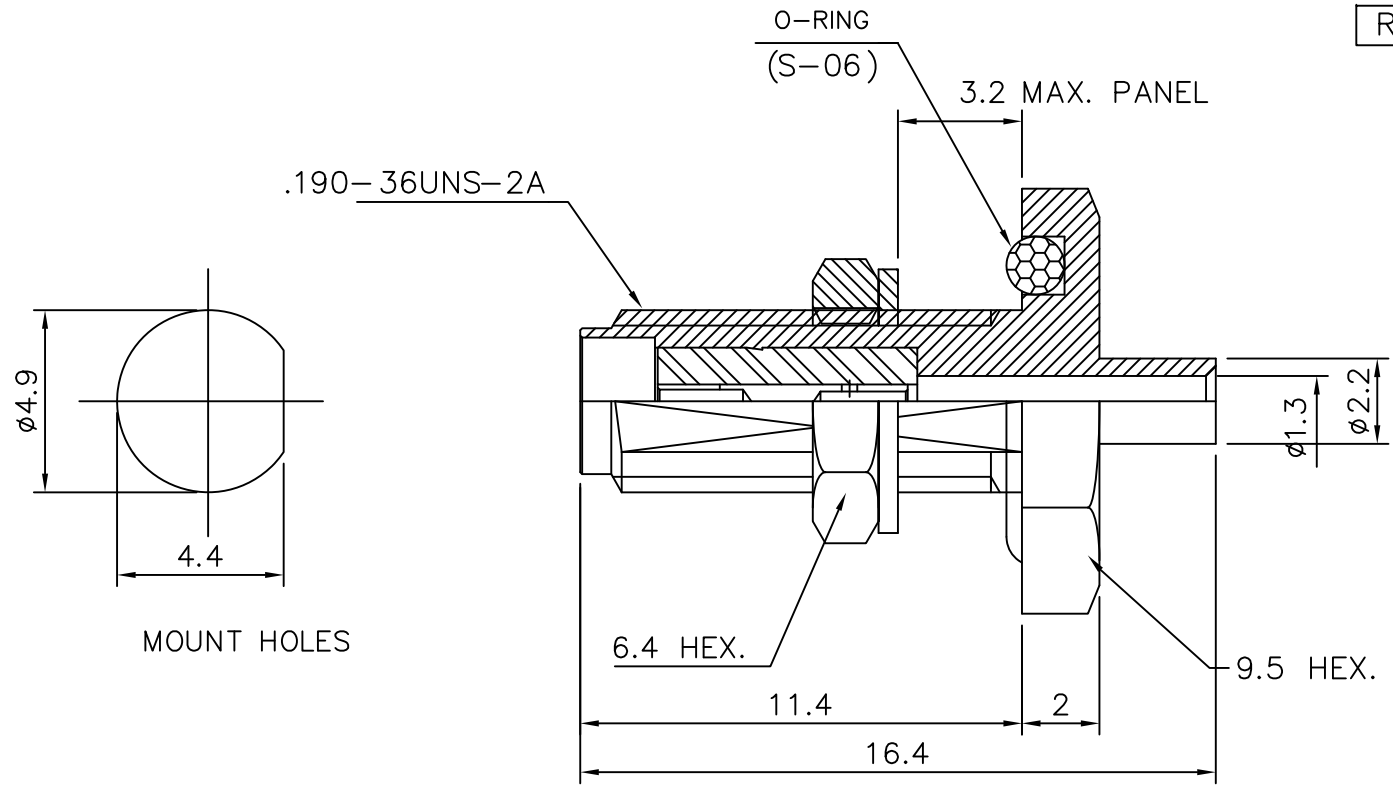


No.	Revision	Date	Name
1	PN Change from 1MA-400S-7210	07/NOV/2013	S.J.PARK
2			

RoHS Compliant



SSMA-Bulkhead JACK with Seal
for Cable-UT047

Connector parts	Materials	Finish
Body,Nut	Stainless steel	Gold Plated
Center contact	Beryllium copper	Gold Plated
Insulator	PTFE	-
O-Ring	Silicone Rubber	-

NO.	DESCRIPTION	Q'TY	MATERIAL	FINISH	REMARKS.
PARTS No.	SSMA-400-002		NAME	SSMA-BJ047-SEAL	APPROVED
MATERIAL	FINISH	TOLERANCES OTHERWISE SPEC. ±0.05		ANGLES ±1°	CHECKED
SCALE		UNIT	mm		DESIGNED S.J.LEE
DWG NO.		SSMA-400-002		DATE.	23/DEC/2010

CUSTOMER

