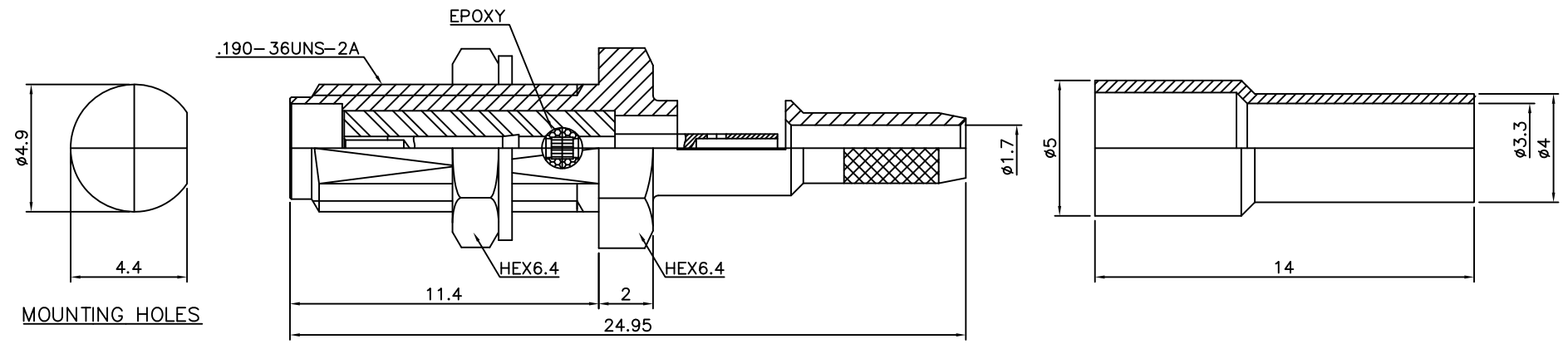


4	No.	Revision	Date	Name
	△			
	△			

RoHS Compliant



SSMA-Bulkhead JACK  
for Cable LMR100

Connector parts	Materials	Finish
Body	Stainless steel	Gold Plated
Center contact	Beryllium copper	Gold Plated
Insulator	Teflon	-
FERRULE	Brass	Gold Plated

NO.	DESCRIPTION	Q'TY	MATERIAL	FINISH	REMARKS.
PARTS No. SSMA-411-003		NAME SSMA-BH JACK LMR100		APPROVED S.J.LEE	
MATERIAL		FINISH		TOLERANCES OTHERWISE SPEC. ±0.05 ANGLES ±1°	
		SCALE		UNIT mm	DESIGNED S.J.PARK
		DWG NO. SSMA-411-003		DATE. 17/FEB/2014	

CUSTOMER

