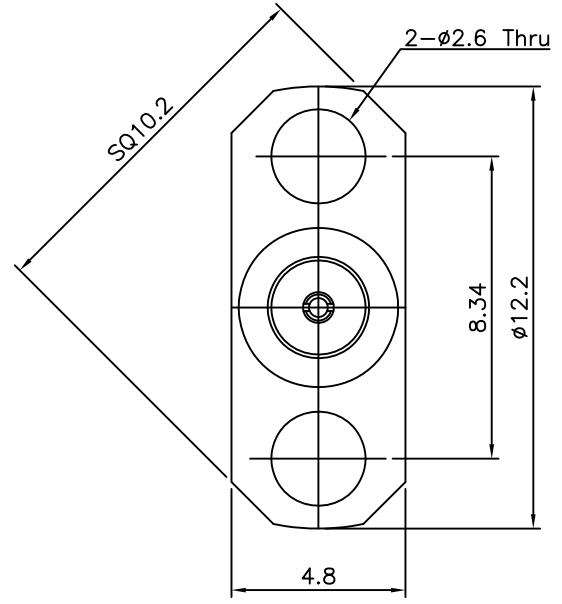
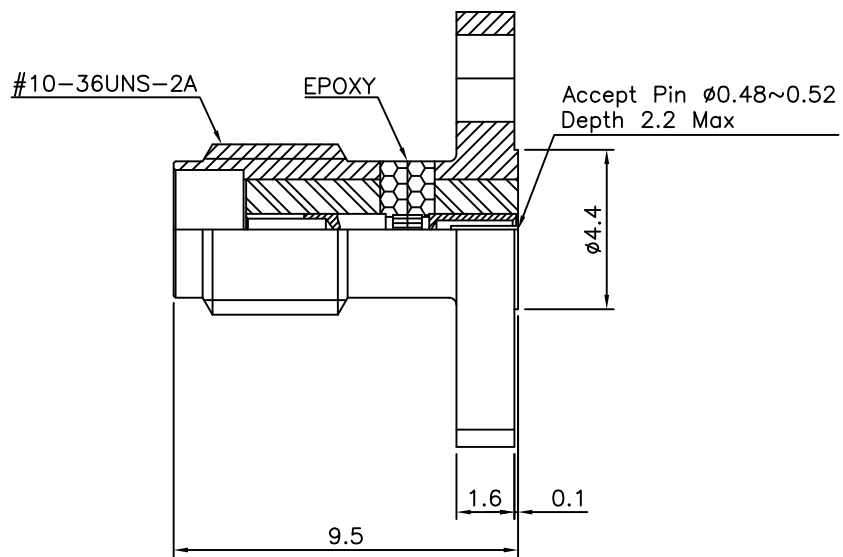


1	2	3	4	5	6
No.	Revision		Date	Name	
△					
△					

SPECIFICATION
 1. Impedance: 50Ω
 2. Frequency range: DC~12GHz
 3. VSWR: 1.2 : 1 Max @ 12GHz

RoHS Compliant



SSMA-FEMALE-2Hole Panel Receptacle

Connector parts	Materials	Finish
Body	Stainless steel	Gold plated
Center contact	Beryllium copper	Gold plated
Insulator	PTFE	-

CUSTOMER

NO.	DESCRIPTION	Q'TY	MATERIAL	FINISH	REMARKS.
PARTS No.	SSMA-502-002	NAME	SSMA-F2H-Recep.		APPROVED S.J.LEE
MATERIAL	FINISH	TOLERANCES OTHERWISE SPEC. ±0.05		ANGLES ±1°	CHECKED
SCALE		UNIT	mm		DESIGNED S.J.PARK
DWG NO.		SSMA-502-002		DATE.	25/FEB/2014

DONGJIN TI.