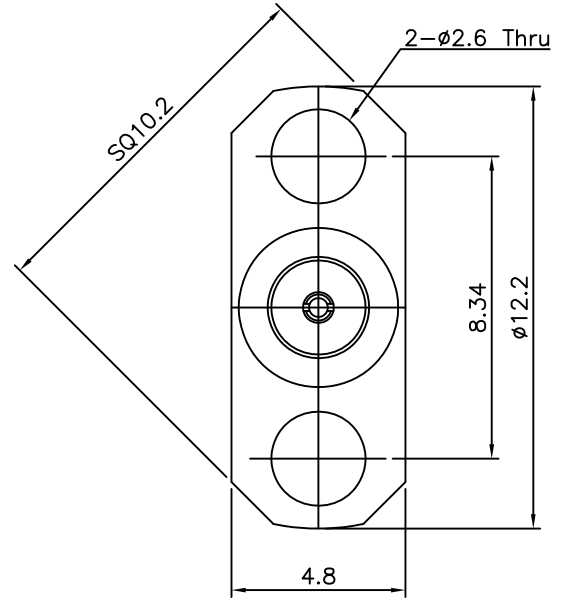
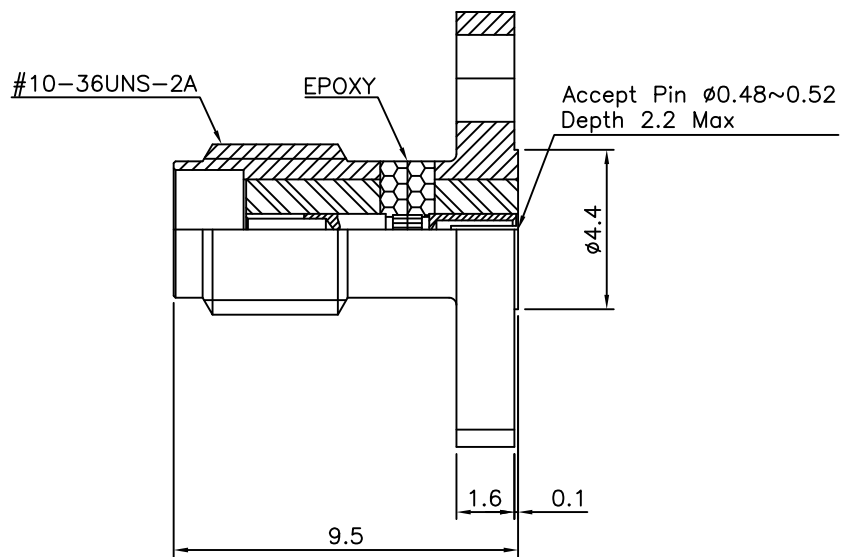


1	2	3	4	5	6
No.	Revision			Date	Name
△					
△					

SPECIFICATION

1. Impedance: 50Ω
2. Frequency range: DC~12GHz
3. VSWR: 1.2 : 1 Max @ 12GHz

RoHS Compliant



SSMA-FEMALE-2Hole Panel Receptacle

Connector parts	Materials	Finish
Body	Brass	Gold plated
Center contact	Beryllium copper	Gold plated
Insulator	PTFE	-

CUSTOMER

NO.	DESCRIPTION	Q'TY	MATERIAL	FINISH	REMARKS.
PARTS No.	SSMA-502-003	NAME	SSMA-F2H-Recep.		APPROVED S.J.LEE
MATERIAL	FINISH	TOLERANCES OTHERWISE SPEC. ±0.05		ANGLES ±1°	CHECKED
		SCALE	UNIT mm		DESIGNED B.G.YUN
		DWG NO. SSMA-502-003		DATE. 03/MAR/2014	