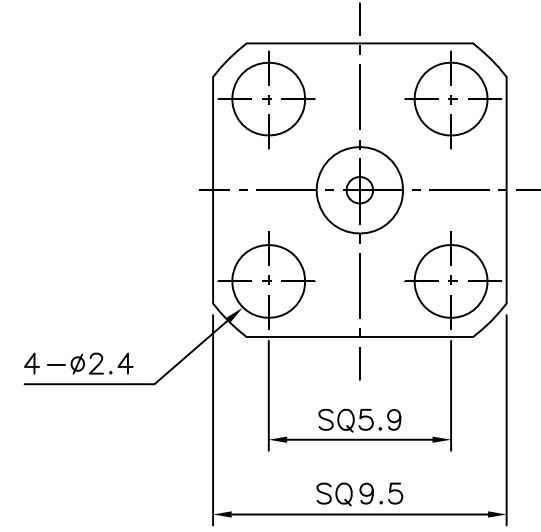
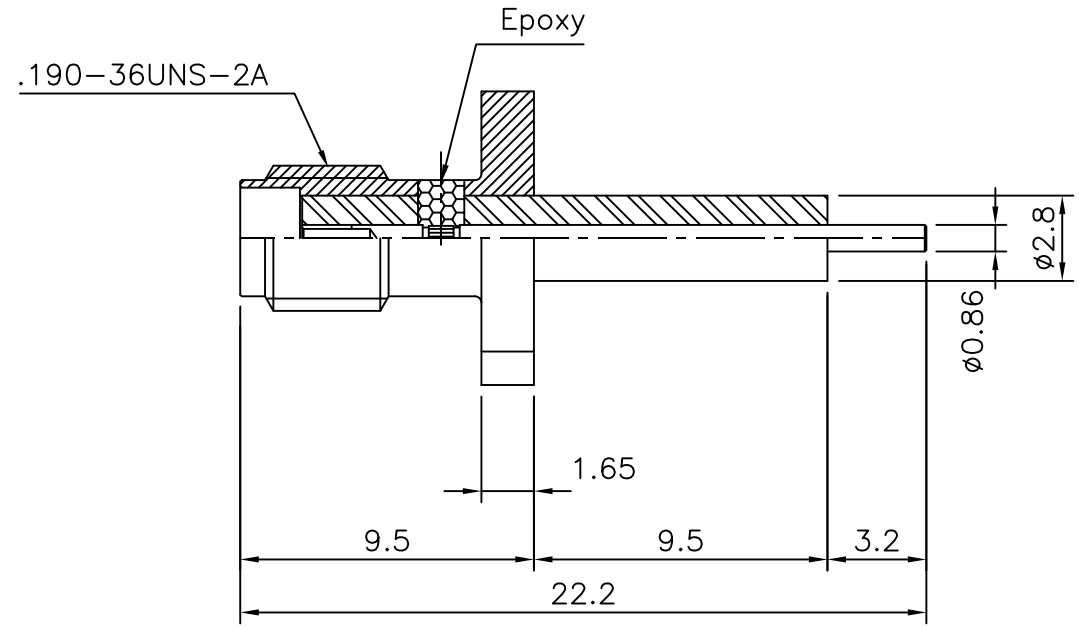


4	5	6	
No.	Revision	Date	Name
1	PN Change from 1MA-505S-9532E	13/AUG/2013	S.J.PARK

RoHS Compliant



Connector parts	Materials	Finish
Body	Stainless steel	Passivated
Center contact	Beryllium copper	Gold plated
Insulator	PTFE	-

SSMA-Panel JACK Receptacle  
4-Hole(3/8")/ Coaxial end

NO.	DESCRIPTION	Q'TY	MATERIAL	FINISH	REMARKS.
PARTS No.	SSMA-504-001	NAME	SSMA-F4H-Recep.		APPROVED
MATERIAL	FINISH	TOLERANCES OTHERWISE SPEC. ±0.05		ANGLES ±1°	CHECKED
SCALE		UNIT	mm		DESIGNED S.J.LEE
DWG NO.		SSMA-504-001		DATE	27/OCT/2010

**CUSTOMER**

