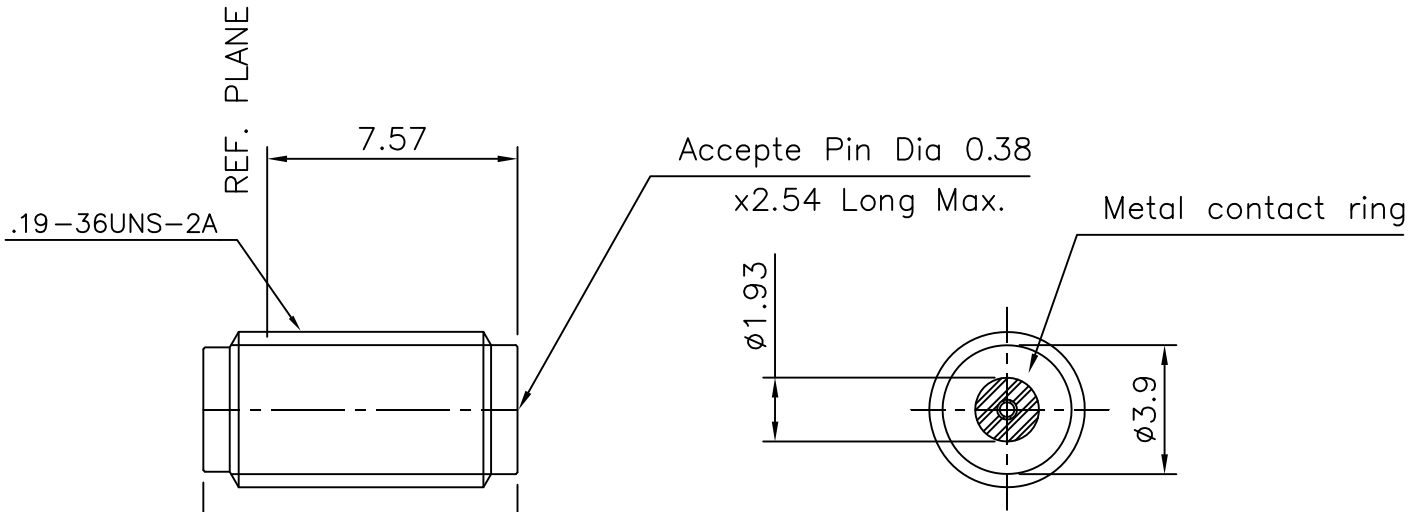


4	5	6	
No.	Revision	Date	Name
△	PN Change from 1MA-602S-F0038	AUG/05/2013	S.J.PARK
△			

RoHS Compliant



**ELECTRICAL RATINGS**  
 Impedance : 50 ohm  
 Frequency Range : DC~26.0GHz  
 Insulation Resistance : 5000MΩ min  
 Contact Resistance : < 3mΩ  
 Working Voltage : 500 VRMS max  
 Dielectric Withstanding Voltage : 750V min

Connector parts	Materials	Finish
Body	Stainless steel	Passivated
Center contact	Beryllium copper	Gold Plated
Insulator	TEFLON	-

SSMA JACK THREAD-IN .375LONG  
 to ACCEPT .15DIA. PIN

NO.	DESCRIPTION	Q'TY	MATERIAL	FINISH	REMARKS.
PARTS No.	SSMA-506-001	NAME	SSMA-BH JACK RECEP.		APPROVED
MATERIAL	FINISH	TOLERANCES OTHERWISE SPEC. ±0.05		ANGLES ±1°	CHECKED
SCALE		UNIT	mm		DESIGNED S.J.LEE
DWG NO.		SSMA-506-001		DATE.	06/JAN/2012

**CUSTOMER**

