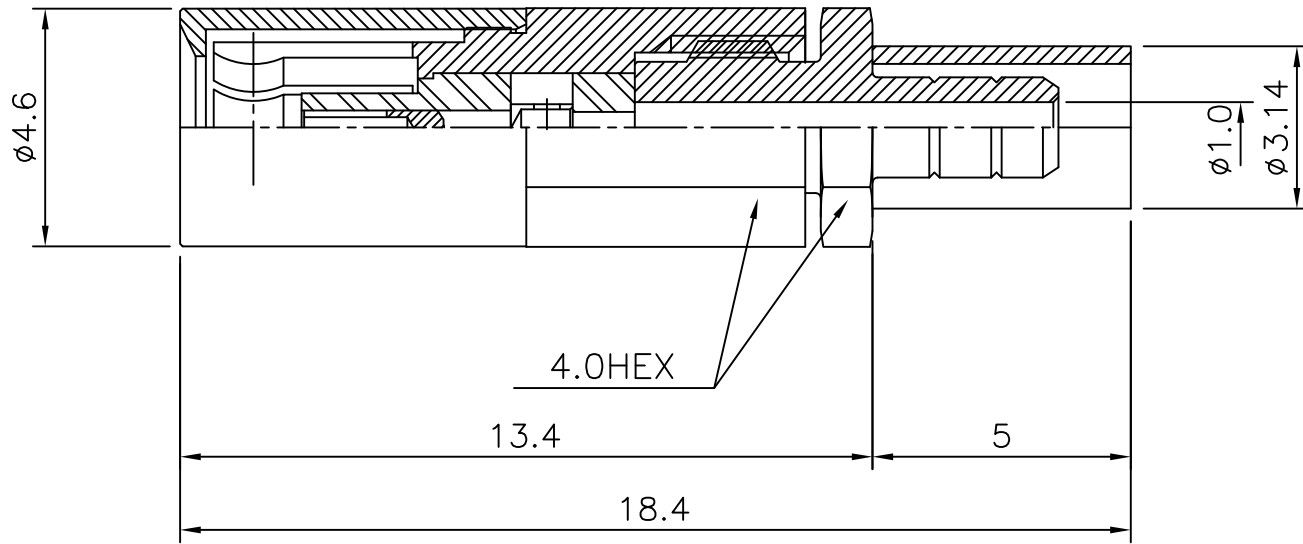


No.	Revision	Date	Name
△	PN Change from 1MB-1111-002	28/06/2013	B.G.YUN
△			

RoHS Compliant



SSMB-Straight Female  
Cable PLUG-RG178  
(Captive contact)

Connector parts	Materials	Finish
Cap, Clamp nut	BRASS	Gold Plated
Outer contact	Beryllium copper	Gold Plated
Center contact	Beryllium copper	Gold Plated
Insulator	Teflon	
Ferrule	BRASS	Gold Plated

**CUSTOMER**

NO.	DESCRIPTION	Q'TY	MATERIAL	FINISH	REMARKS.
PARTS No.	SSMB-110-001	NAME	SSMB-SP178		APPROVED
MATERIAL	FINISH	TOLERANCES OTHERWISE SPEC. ±0.05		ANGLES ±1°	CHECKED
SCALE		UNIT	mm		DESIGNED S.J.LEE
		DWG NO.	SSMB-110-001		DATE. 02/MAR/2010